

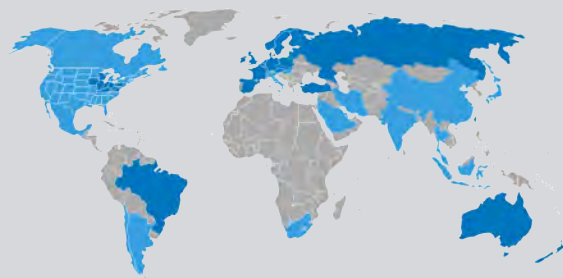
# TIMBERGRIPPER

**UNIGRIPPER**

is a part of



Tepro Machine and Pac System AB  
Vinkelvägen 10  
68534 Torsby, Sweden  
+46 560 272 70



Find your closest distributor on [www.unigripper.com](http://www.unigripper.com)

**UNIGRIPPER**

INTELLIGENT VACUUM



# TIMBERGRIPPER

TimberGripper is developed for the rough environment that handling of untreated wood implies.

TimberGripper is the natural choice when designing a new wood-handling vacuum system, and is also frequently used to upgrade and improve existing wood-handling systems.

TimberGripper is equipped with Unigripper's well-known, patented valve technology, which automatically senses the position of the product and focuses the lifting force. The technique makes it possible to use the same tool for a broad range of products.

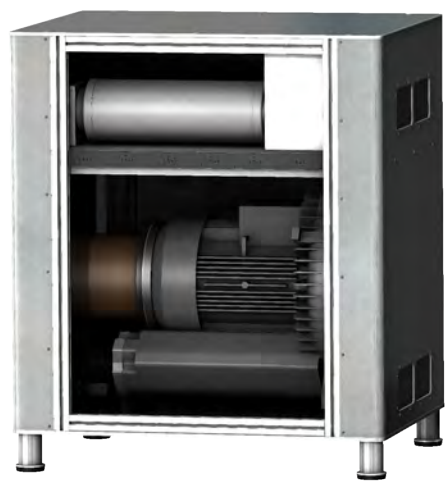
TimberGripper is available in a number of standard variants that can be delivered with shorter lead times and at attractive prices. The concept is also customizable in size and design.

TimberGripper has since its introduction focused on maintenance friendliness and robust solutions. With TimberGripper you always get a solution tailored to your needs.

## TIMBERGRIPPER STANDARD VARIANTS

TYPE	T6 1250/220			T6 1250/300		
Length	1250 mm					
Width	220 mm			300 mm		
Weight	App. 27kg			App. 35 kg		
Valve Pitch	25.25	25.20	30.17	25.25	25.20	30.17
Number of Valves	340	437	446	534	666	648
Foam Carrier	Included					
Filter Cassette	Included					
Floating Attachment	Standard Option					

Due to continuous product development, we reserve the rights to make changes



## COMPLETE SYSTEMS

UniGripper is the most complete supplier of vacuum gripping systems on the market and our offering includes:

- ✓ Selected side-channel blowers for optimized vacuum creation
- ✓ UniGripper Silent Power - Compact sound enclosures for side-channel blowers of any size
- ✓ Distribution pipes for neat and efficient vacuum distribution through the entire system
- ✓ High-quality vacuum hoses
- ✓ Various filtering systems for different applications
- ✓ Swivel joints for easier hose management



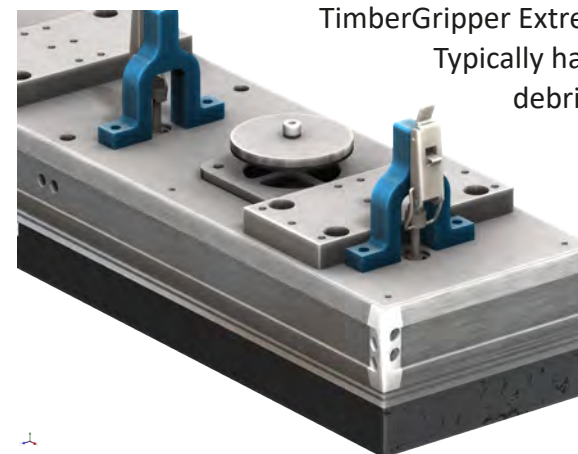
## ALWAYS WITH TIMBERGRIPPER

- ✓ Ruggedized vacuum-grippers for the toughest wood-handling environments
- ✓ System with removable foam carrier plate, which facilitates foam replacements and cleaning
- ✓ Optimized power sources for vacuum generation
- ✓ Integrated blow-off function for automatic cleansing and fast cycle times
- ✓ Wide range of accessories for quick and convenient installation and integration
- ✓ Smart attachment functions, such as floating attachments



## NEW: TIMBERGRIPPER EXTREEM

TimberGripper Extremem is the solution for particularly demanding timber handling. Typically handling of extremely wet wood with excessive amounts of dirt and debris.



TimberGripper Extremem is designed for using more flow than on the standard TimberGripper and uses a larger power supply. In addition, TimberGripper Extremem not only has the foam carrier removable, also the flow restrictor plate is removed with the same mechanism for extra fast cleaning. Lastly, the flow restrictor plate is Tuftram coated to minimize amount of resin that sticks to it.