

# ***JUNIGRIPPER***

**INTELLIGENT VACUUM**



**STANDARD GRIPPERS**

# STANDARD GRIPPERS

# CONTENTS

STANDARD MODULE SYSTEM

SMS 120

SMS 80

SMS MINI

FLOATING ATTACHMENT

CUSTOMIZING THE SMS

UNIGRIPPER BASIC

UNIGRIPPER CO/LIGHT

ACCESSORIES

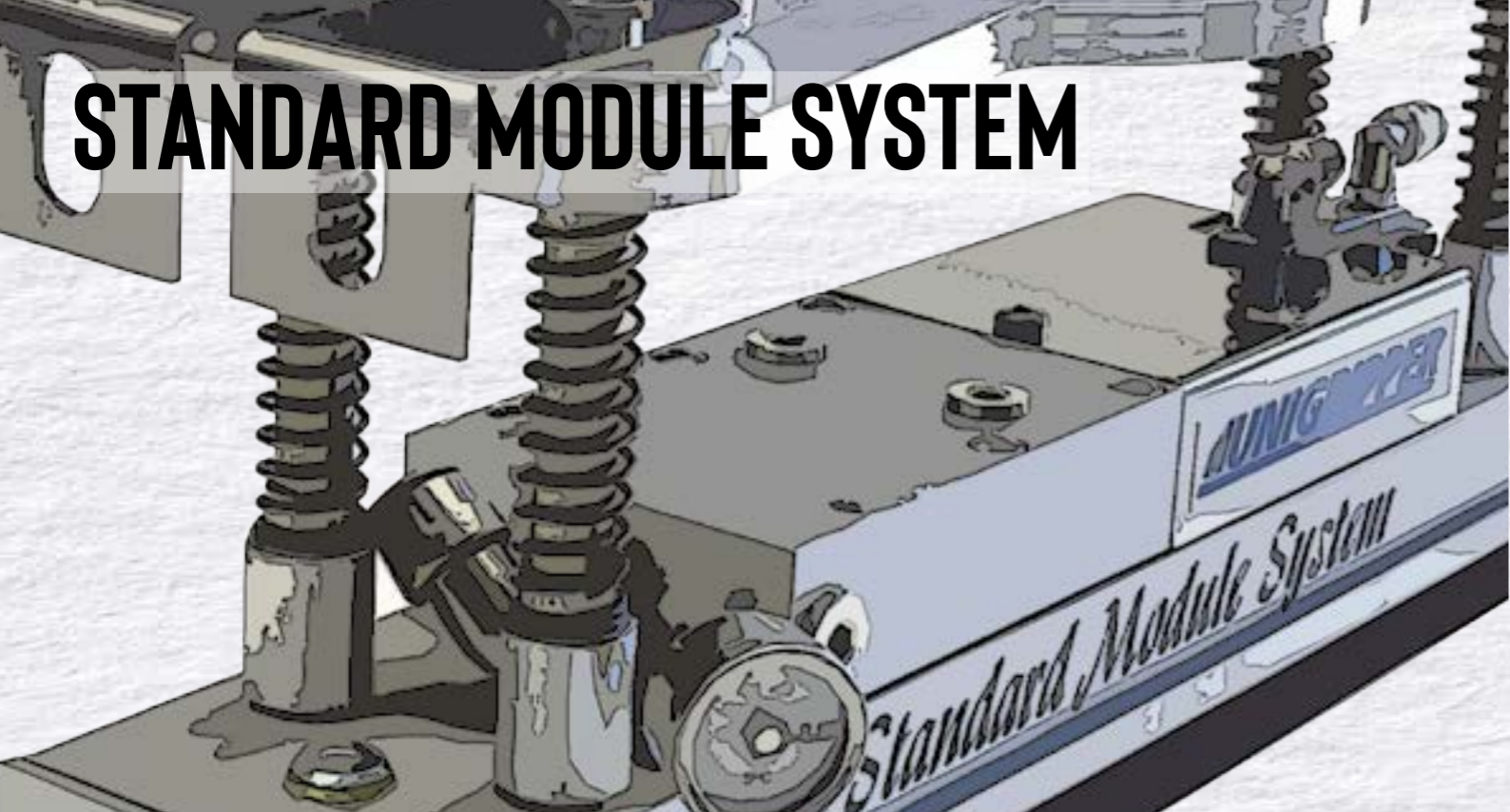
UniGripper offers a wide range of standard vacuum grippers, which can be used in a vast variety of applications. It is a well proven concept that we are very proud to present in this folder. Our standard product range consists of the Standard Module System (SMS); The UniGripper Basic series; UniGripper Small Grippers; and the UniGripper Co/Light- Collaborative and Lightweight grippers. The modular component principle of the standard gripper product range gives a huge flexibility in combining tools, vacuum sources and accessories to your specific needs. It is for sure your true smorgasbord of success in vacuum handling.

These grippers are based on off-the-shelf components, which means short delivery times at an attractive price level.

Sustainability is a core value of UniGripper. That is why we think it is important that our products are market leading when it comes to easy maintenance and us supporting you to succeed with a long-time usage of our product.



# STANDARD MODULE SYSTEM

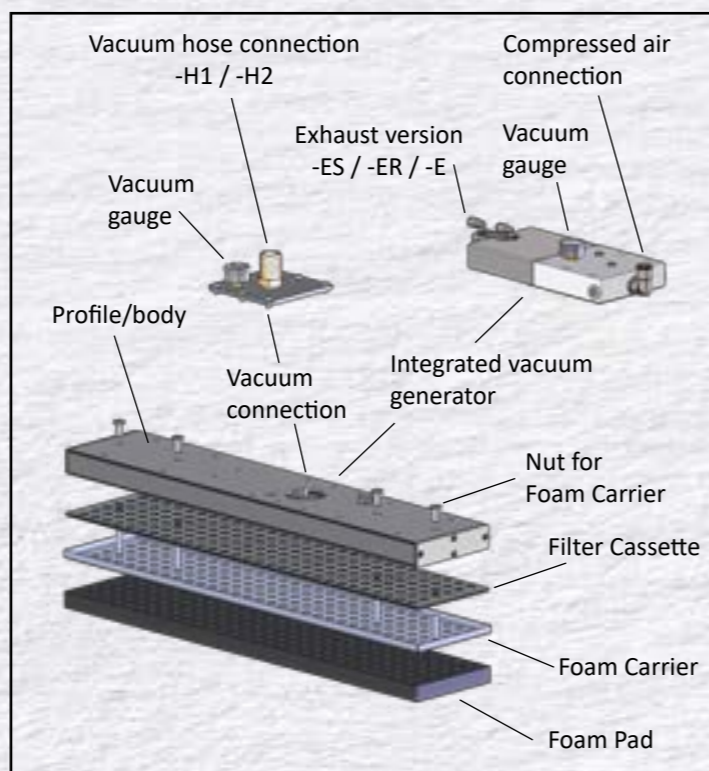


The Standard Module System (SMS) is a range of premium foam grippers with widths of 120mm and 80mm that come in standard lengths from 200 mm to 1400 mm. The core of the SMS series are the intelligent UniGripper valves, which help focusing the vacuum flow to where lifted objects are located and thus makes SMS grippers capable of very different kinds of handling.

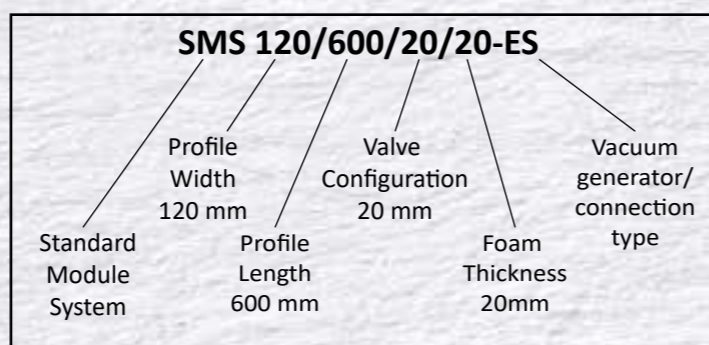
The modular design of the SMS system offers multiple options for vacuum sources and allows modules to be assembled next to each other for gripper widths of 80, 120, 160, 200, 240, 280, 320, 360 mm and so on.

The SMS series is also great from a maintenance perspective as the foam pad is attached to a foam carrier plate that can easily be removed from the gripper base. Between the foam carrier and the gripper base is a filter cassette that also gets accessible when removing the foam carrier plate and can easily be cleaned to prevent dust and debris to enter into the gripper base and the vacuum generators.

The SMS series also incorporates SMS Mini, short versions where the length of the gripper is less than or equal to the width. The SMS Mini grippers are in many cases a good alternative to a suction cup, as in UniGripper valves and the foam pad allows handling of uneven objects and objects that are not entirely solid.

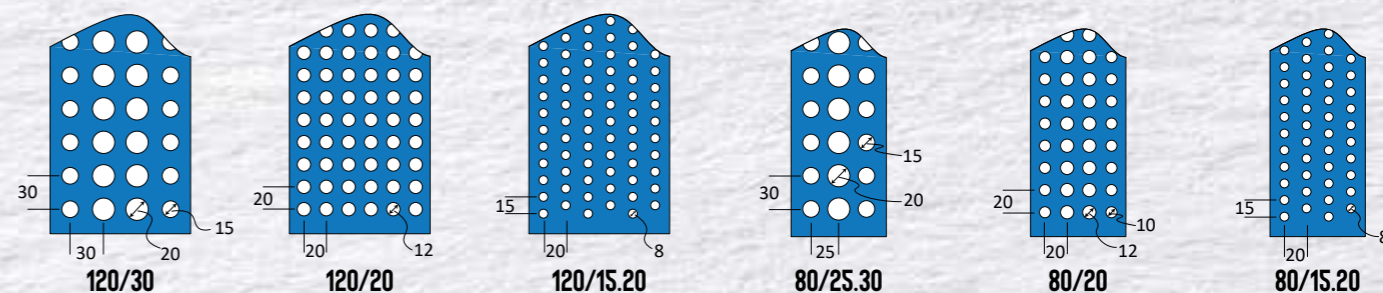


## SMS TYPE NUMBER EXPLANATION



## VALVE CONFIGURATIONS

Each SMS 120 series and SMS 80 series length is available in three standard valve configurations. The valve configurations are suitable for different kinds of products and the vacuum sources differ in size for the different configurations, from the 30.30 pitch for most boxes and other large object and wide stripes, through the 20.20 pitch that can handle smaller objects and more leakage to the 15.20 pitch targeted for thin stripes and other products that require a very dense distribution of valves. Each valve pitch is associated with a standard foam pad design, as detailed below.



For the SMS Mini grippers, the exact valve configuration and hole size is varying somewhat between each version and is presented on pages 22-23.

## VACUUM GENERATION

Each length of the SMS unit has one or more locations where vacuum pumps can be connected. For most lengths, ejectors, which are vacuum pumps that generate vacuum with compressed air and the venturi principle, can be mounted directly on the gripper unit, these vacuum pumps. Alternatively, the grippers can be equipped with hose connections for connecting an external vacuum pump to the gripper.



### EJECTOR -ES

Ejector with extra silent exhaust. For clean environments where gripper is operating close to humans.



### EJECTOR -ER

Ejector with integrated reverse blow function. For efficient release and cleaning.



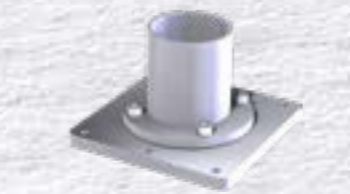
### EJECTOR -E

Cost-effective ejector without extra silencing or reverse blow functions.



### HOSE CONNECTION -H1

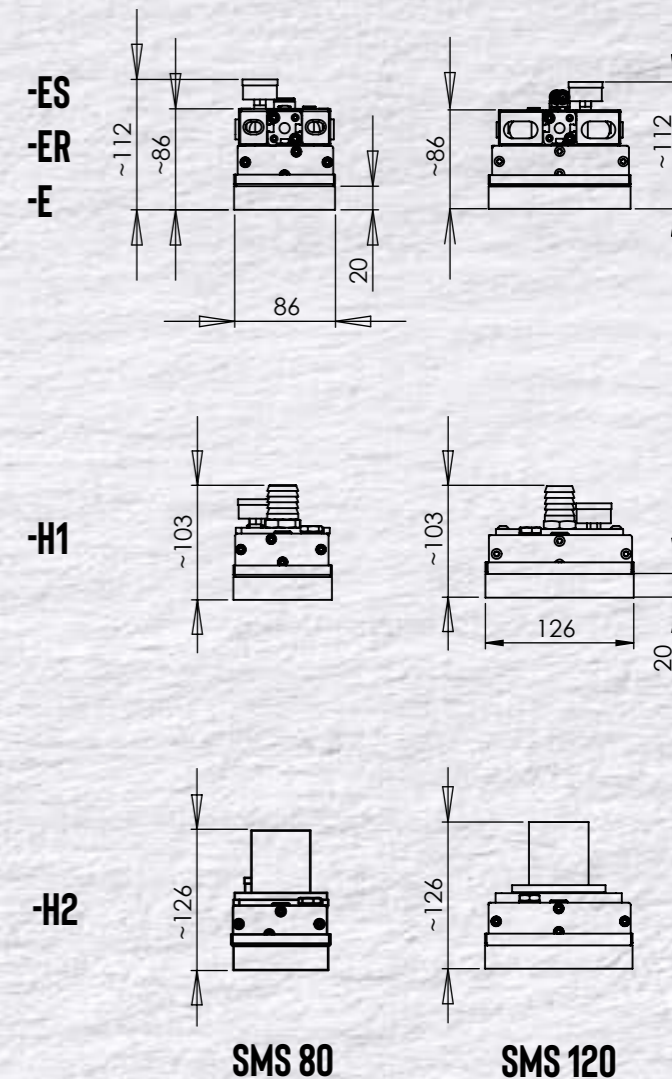
Hose connection for 1"/25mm vacuum hoses



### HOSE CONNECTION -H2

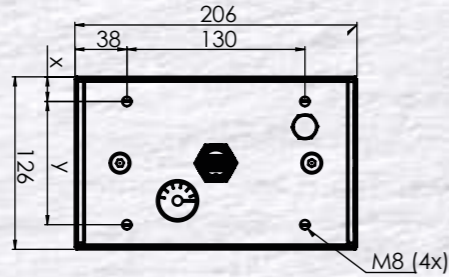
Hose connection for 2"/51mm vacuum hoses

## HEIGHTS AND SIDE DIMENSIONS



All data is subject to change without prior notification

# SMS 120/200



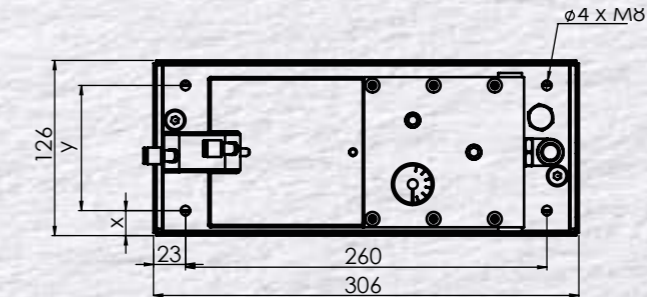
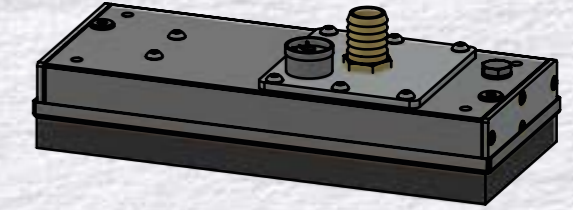
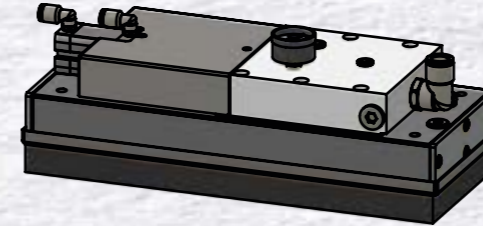
x=18mm for SMS 120/15.20 and 120/20, x=13mm for SMS 120/30 y=90mm for SMS 120/15.20 and 120/20, y=100mm for SMS 120/30

TECHNICAL DATA	SMS 120/200/15.20/20	SMS 120/200/20/20	SMS 120/200/30/20
Length (mm)	206	206	206
Width (mm)	126	126	126
Height with ejectors (mm)			
Height with hose connection (mm)	103	103	103
Weight with ejectors (kg)			
Weight with hose connection (kg)	1.3	1.3	1.3
Number of valves	69	54	24
Theoretical lifting force (N), all gripper covered			
@200mBar	69	122	117
@400mBar	138	244	235
@600mBar	208	366	353
@800mBar	277	488	471
Number of ejectors on gripper			
Air consumption (NI/min)			

ORDERING ARTICLE NUMBERS	SMS 120/200/15.20/20	SMS 120/200/20/20	SMS 120/200/30/20
-H1	300 200 110	300 200 210	300 200 310
-E	Only seaparately mounted ejectors available		
-ES			
-ER			

SPARE PARTS ARTICLE NUMBERS	SMS 120/200/15.20/20	SMS 120/200/20/20	SMS 120/200/30/20
Foam pad	330 200 112	330 200 212	330 200 312
Filter cassette	330 200 119	330 200 219	330 200 319
Foam carrier assembly, incl. Filter cassette	320 200 113	320 200 213	320 200 313
Foam carrier assembly, excl. Filter cassette	320 200 114	320 200 214	320 200 314

# SMS 120/300



x=18mm for SMS 120/15.20 and 120/20, x=13mm for SMS 120/30 y=90mm for SMS 120/15.20 and 120/20, y=100mm for SMS 120/30

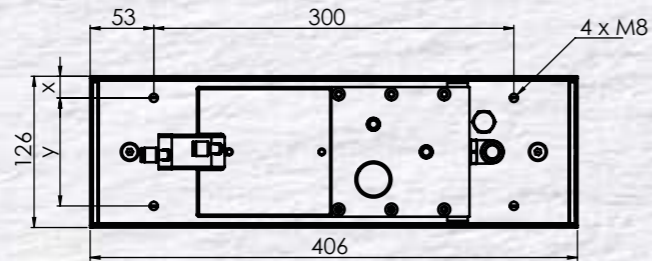
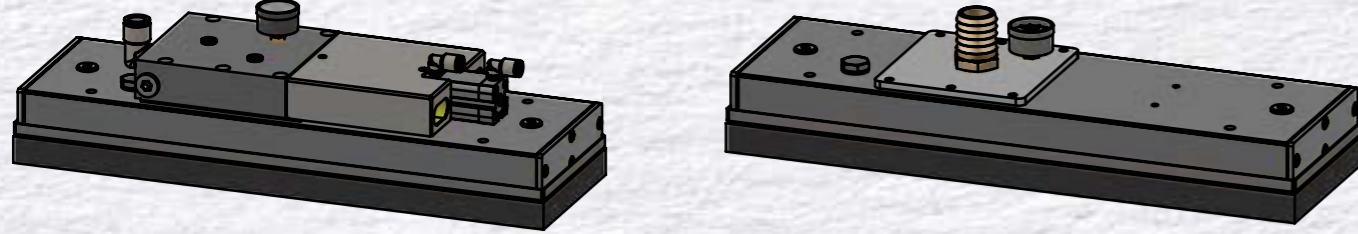
TECHNICAL DATA	SMS 120/300/15.20/20	SMS 120/300/20/20	SMS 120/300/30/20
Length (mm)	306	306	306
Width (mm)	126	126	126
Height with ejectors (mm)	112	112	112
Height with hose connection (mm)	103	103	103
Weight with ejectors (kg)	2.8	2.8	2.8
Weight with hose connection (kg)	1.9	1.9	1.9
Number of valves	108	84	40
Theoretical lifting force (N), all gripper covered			
@200mBar	108	190	196
@400mBar	217	380	392
@600mBar	325	570	589
@800mBar	434	760	785
Number of ejectors on gripper	1	1	1
Air consumption (NI/min)	420	315	210

ORDERING ARTICLE NUMBERS	SMS 120/300/15.20/20	SMS 120/300/20/20	SMS 120/300/30/20
-H1	300 300 110	300 300 210	300 300 310
-E	300 300 112	300 300 212	300 300 312
-ES	300 300 113	300 300 213	300 300 313
-ER	300 300 111	300 300 211	300 300 311

SPARE PARTS ARTICLE NUMBERS	SMS 120/300/15.20/20	SMS 120/300/20/20	SMS 120/300/30/20
Foam pad	330 300 112	330 300 212	330 300 312
Filter cassette	330 300 119	330 300 219	330 300 319
Foam carrier assembly, incl. Filter cassette	320 300 113	320 300 213	320 300 313
Foam carrier assembly, excl. Filter cassette	320 300 114	320 300 214	320 300 314

All data is subject to change without prior notification

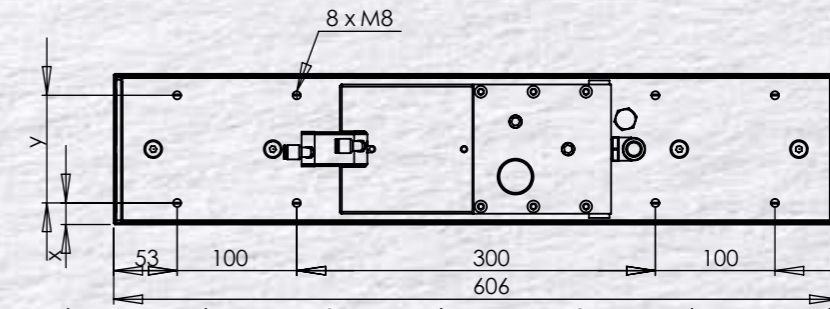
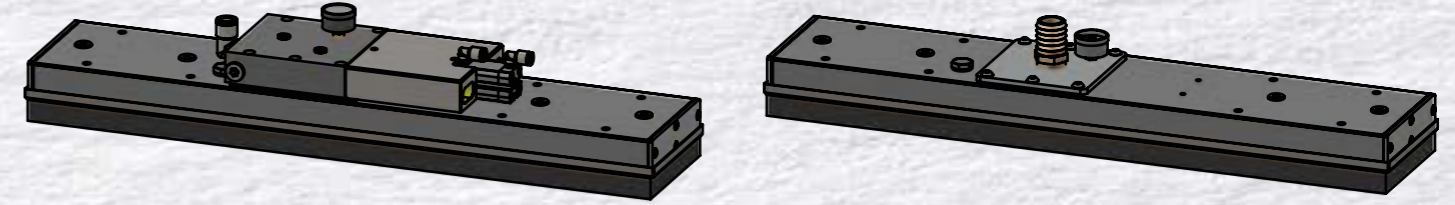
# SMS 120/400



x=18mm for SMS 120/15.20 and 120/20, x=13mm for SMS 120/30 y=90mm for SMS 120/15.20 and 120/20, y=100mm for SMS 120/30

TECHNICAL DATA	SMS 120/400/15.20/20	SMS 120/400/20/20	SMS 120/400/30/20
Length (mm)	406	406	406
Width (mm)	126	126	126
Height with ejectors (mm)	112	112	112
Height with hose connection (mm)	103	103	103
Weight with ejectors (kg)	3.5	3.5	3.5
Weight with hose connection (kg)	2.6	2.6	2.6
Number of valves	150	114	52
Theoretical lifting force (N), all gripper covered			
@200mBar	150	257	255
@400mBar	301	515	510
@600mBar	452	773	765
@800mBar	603	1031	1021
Number of ejectors on gripper	1	1	1
Air consumption (NI/min)	420	420	210
<b>ORDERING ARTICLE NUMBERS</b>			
	SMS 120/400/15.20/20	SMS 120/400/20/20	SMS 120/400/30/20
-H1	300 400 110	300 400 210	300 400 310
-H2	300 400 114	300 400 214	300 400 314
-E	300 400 112	300 400 212	300 400 312
-ES	300 400 113	300 400 213	300 400 313
-ER	300 400 111	300 400 211	300 400 311
<b>SPARE PARTS ARTICLE NUMBERS</b>			
	SMS 120/400/15.20/20	SMS 120/400/20/20	SMS 120/400/30/20
Foam pad	330 400 112	330 400 212	330 400 312
Filter cassette	330 400 119	330 400 219	330 400 319
Foam carrier assembly, incl. Filter cassette	320 400 113	320 400 213	320 400 313
Foam carrier assembly, excl. Filter cassette	320 400 114	320 400 214	320 400 314

# SMS 120/600

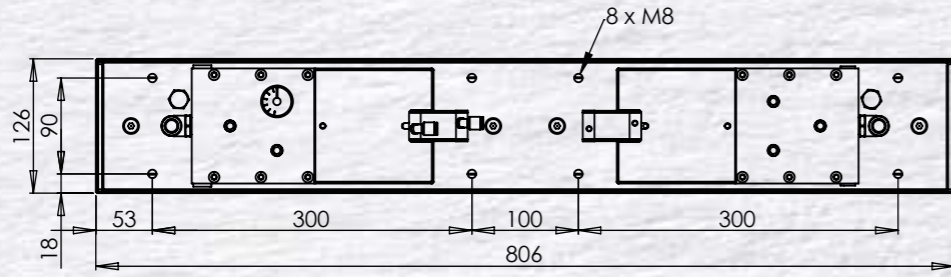
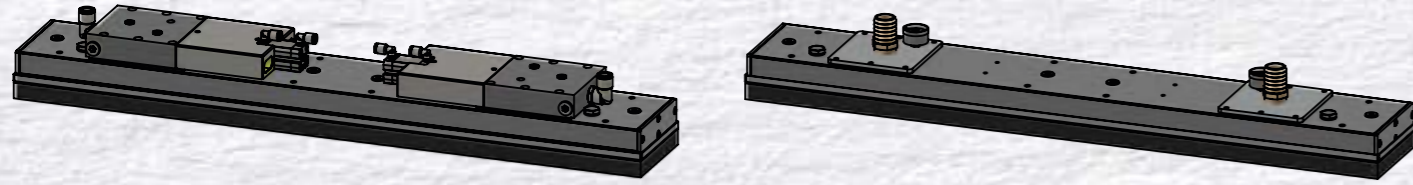


x=18mm for SMS 120/15.20 and 120/20, x=13mm for SMS 120/30 y=90mm for SMS 120/15.20 and 120/20, y=100mm for SMS 120/30

TECHNICAL DATA	SMS 120/600/15.20/20	SMS 120/600/20/20	SMS 120/600/30/20
Length (mm)	606	606	606
Width (mm)	126	126	126
Height with ejectors (mm)	112	112	112
Height with hose connection (mm)	103	103	103
Weight with ejectors (kg)	5.4	4.5	4.5
Weight with hose connection (kg)	3.6	3.6	3.6
Number of valves	228	174	76
Theoretical lifting force (N), all gripper covered			
@200mBar	229	393	373
@400mBar	458	787	746
@600mBar	687	1180	1119
@800mBar	916	1574	1492
Number of ejectors on gripper	2	1	1
Air consumption (NI/min)	735	420	315
<b>ORDERING ARTICLE NUMBERS</b>			
	SMS 120/600/15.20/20	SMS 120/600/20/20	SMS 120/600/30/20
-H1	300 600 110	300 600 210	300 600 310
-H2	300 600 114	300 600 214	300 600 314
-E	300 600 112	300 600 212	300 600 312
-ES	300 600 113	300 600 213	300 600 313
-ER	300 600 111	300 600 211	300 600 311
<b>SPARE PARTS ARTICLE NUMBERS</b>			
	SMS 120/600/15.20/20	SMS 120/600/20/20	SMS 120/600/30/20
Foam pad	330 600 112	330 600 212	330 600 312
Filter cassette	330 600 119	330 600 219	330 600 319
Foam carrier assembly, incl. Filter cassette	320 600 113	320 600 213	320 600 313
Foam carrier assembly, excl. Filter cassette	320 600 114	320 600 214	320 600 314

All data is subject to change without prior notification

# SMS 120/800



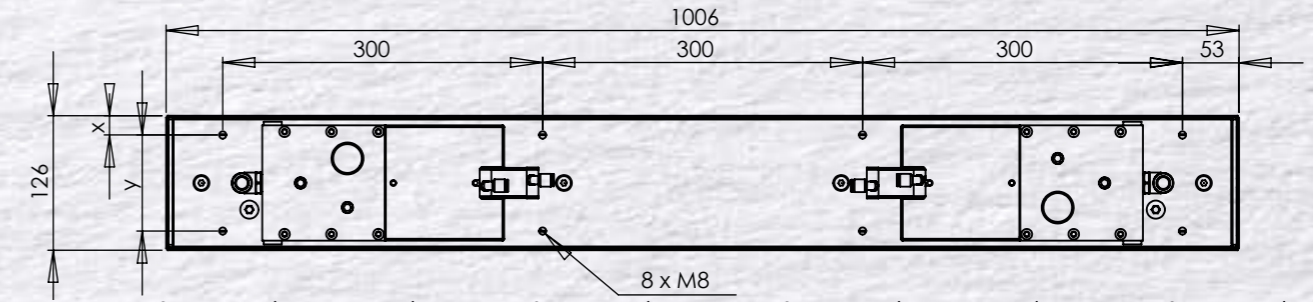
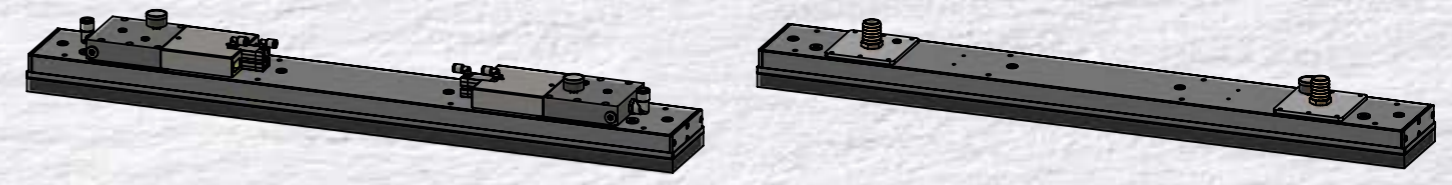
x=18mm for SMS 120/15.20 and 120/20, x=13mm for SMS 120/30 y=90mm for SMS 120/15.20 and 120/20, y=100mm for SMS 120/30

TECHNICAL DATA	SMS 120/800/15.20/20	SMS 120/800/20/20	SMS 120/800/30/20
Length (mm)	806	806	806
Width (mm)	126	126	126
Height with ejectors (mm)	112	112	112
Height with hose connection (mm)	103	103	103
Weight with ejectors (kg)	6.6	6.6	5.7
Weight with hose connection (kg)	4.8	4.8	4.8
Number of valves	312	234	100
Theoretical lifting force (N), all gripper covered			
@200mBar	313	529	490
@400mBar	627	1058	981
@600mBar	940	1587	1472
@800mBar	1254	2117	1963
Number of ejectors on gripper	2	2	1
Air consumption (NI/min)	840	735	315

ORDERING ARTICLE NUMBERS	SMS 120/800/15.20/20	SMS 120/800/20/20	SMS 120/800/30/20
-H1	300 800 110	300 800 210	300 800 310
-H2	300 800 114	300 800 214	300 800 314
-E	300 800 112	300 800 212	300 800 312
-ES	300 800 113	300 800 213	300 800 313
-ER	300 800 111	300 800 211	300 800 311

SPARE PARTS ARTICLE NUMBERS	SMS 120/800/15.20/20	SMS 120/800/20/20	SMS 120/800/30/20
Foam pad	330 800 112	330 800 212	330 800 312
Filter cassette	330 800 119	330 800 219	330 800 319
Foam carrier assembly, incl. Filter cassette	320 800 113	320 800 213	320 800 313
Foam carrier assembly, excl. Filter cassette	320 800 114	320 800 214	320 800 314

# SMS 120/1000



x=18mm for SMS 120/15.20 and 120/20, x=13mm for SMS 120/30 y=90mm for SMS 120/15.20 and 120/20, y=100mm for SMS 120/30

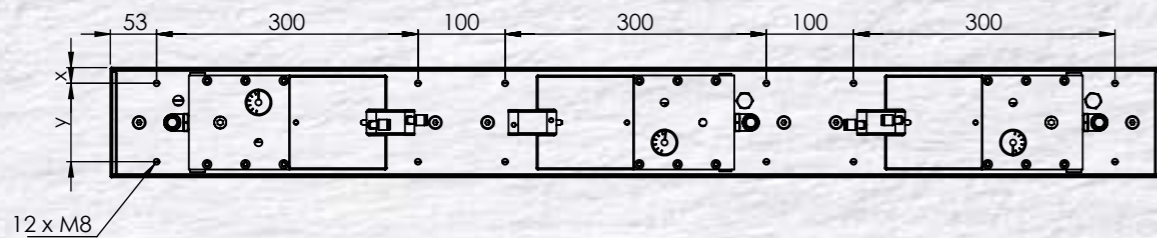
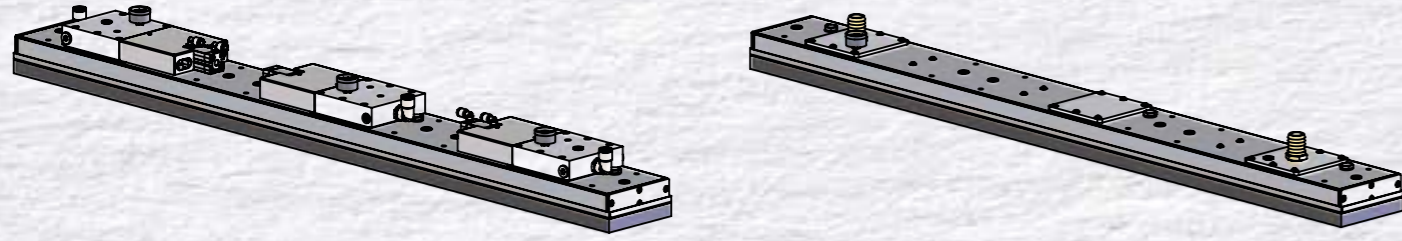
TECHNICAL DATA	SMS 120/1000/15.20/20	SMS 120/1000/20/20	SMS 120/1000/30/20
Length (mm)	1006	1006	1006
Width (mm)	126	126	126
Height with ejectors (mm)	112	112	112
Height with hose connection (mm)	103	103	103
Weight with ejectors (kg)	8.0	8.0	7.1
Weight with hose connection (kg)	6.2	6.2	6.2
Number of valves	384	294	132
Theoretical lifting force (N), all gripper covered			
@200mBar	386	665	647
@400mBar	772	1330	1295
@600mBar	1158	1995	1943
@800mBar	1544	2660	2591
Number of ejectors on gripper	2	2	1
Air consumption (NI/min)	840	840	420

ORDERING ARTICLE NUMBERS	SMS 120/1000/15.20/20	SMS 120/1000/20/20	SMS 120/1000/30/20
-H1	301 000 110	301 000 210	301 000 310
-H2	301 000 114	301 000 214	301 000 314
-E	301 000 112	301 000 212	301 000 312
-ES	301 000 113	301 000 213	301 000 313
-ER	301 000 111	301 000 211	301 000 311

SPARE PARTS ARTICLE NUMBERS	SMS 120/1000/15.20/20	SMS 120/1000/20/20	SMS 120/1000/30/20
Foam pad	331 000 112	331 000 212	331 000 312
Filter cassette	331 000 119	331 000 219	331 000 319
Foam carrier assembly, incl. Filter cassette	321 000 113	321 000 213	321 000 313
Foam carrier assembly, excl. Filter cassette	321 000 114	321 000 214	321 000 314

All data is subject to change without prior notification

# SMS 120/1200



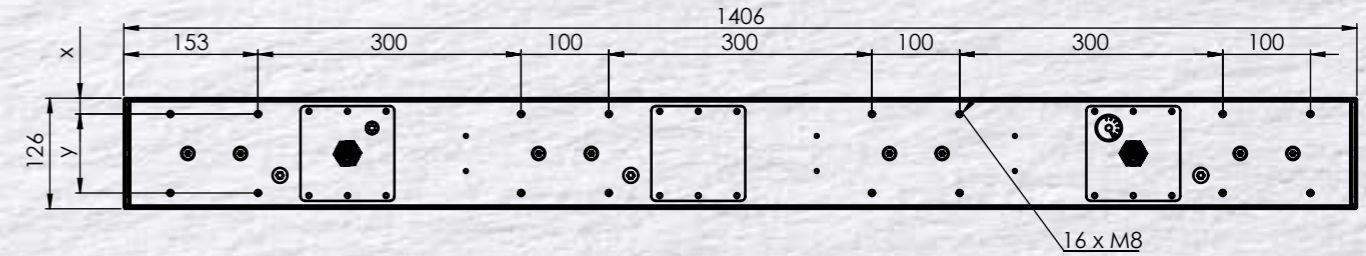
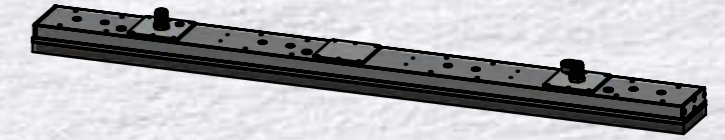
x=18mm for SMS 120/15.20 and 120/20, x=13mm for SMS 120/30 y=90mm for SMS 120/15.20 and 120/20, y=100mm for SMS 120/30

TECHNICAL DATA	SMS 120/1200/15.20/20	SMS 120/1200/20/20	SMS 120/1200/30/20
Length (mm)	1206	1206	1206
Width (mm)	126	126	126
Height with ejectors (mm)	112	112	112
Height with hose connection (mm)	103	103	103
Weight with ejectors (kg)	10.5	9.6	8.7
Weight with hose connection (kg)	6.9	6.9	6.9
Number of valves	465	354	156
Theoretical lifting force (N), all gripper covered			
@200mBar	467	800	765
@400mBar	934	1601	1531
@600mBar	1402	2402	2297
@800mBar	1869	3202	3063
Number of ejectors on gripper	4	3	2
Air consumption (NI/min)	1365	1050	525

ORDERING ARTICLE NUMBERS	SMS 120/1200/15.20/20	SMS 120/1200/20/20	SMS 120/1200/30/20
-H1	301 200 110	301 200 210	301 200 310
-H2	301 200 114	301 200 214	301 200 314
-E	301 200 112	301 200 212	301 200 312
-ES	301 200 113	301 200 213	301 200 313
-ER	301 200 111	301 200 211	301 200 311

SPARE PARTS ARTICLE NUMBERS	SMS 120/1200/15.20/20	SMS 120/1200/20/20	SMS 120/1200/30/20
Foam pad	331 200 112	331 200 212	331 200 312
Filter cassette	331 200 119	331 200 219	331 200 319
Foam carrier assembly, incl. Filter cassette	321 200 113	321 200 213	321 200 313
Foam carrier assembly, excl. Filter cassette	321 200 114	321 200 214	321 200 314

# SMS 120/1400



x=18mm for SMS 120/15.20 and 120/20, x=13mm for SMS 120/30 y=90mm for SMS 120/15.20 and 120/20, y=100mm for SMS 120/30

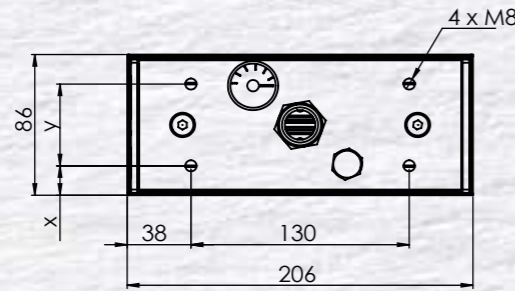
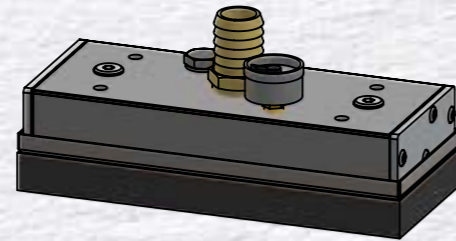
TECHNICAL DATA	SMS 120/1400/15.20/20	SMS 120/1400/20/20	SMS 120/1400/30/20
Length (mm)	1406	1406	1406
Width (mm)	126	126	126
Height with ejectors (mm)	112	112	112
Height with hose connection (mm)	103	103	103
Weight with ejectors (kg)			10.4
Weight with hose connection (kg)	8.6	8.6	8.6
Number of valves	543	414	184
Theoretical lifting force (N), all gripper covered			
@200mBar	545	936	903
@400mBar	1091	1872	1806
@600mBar	1637	2809	2709
@800mBar	2183	3745	3612
Number of ejectors on gripper			2
Air consumption (NI/min)			630

ORDERING ARTICLE NUMBERS	SMS 120/1400/15.20/20	SMS 120/1400/20/20	SMS 120/1400/30/20
-H1	301 400 110	301 400 210	301 400 310
-H2	301 400 114	301 400 214	301 400 314
-E			301 400 312
-ES			301 400 313
-ER			301 400 311

SPARE PARTS ARTICLE NUMBERS	SMS 120/1400/15.20/20	SMS 120/1400/20/20	SMS 120/1400/30/20
Foam pad	331 400 112	331 400 212	331 400 312
Filter cassette	331 400 119	331 400 219	331 400 319
Foam carrier assembly, incl. Filter cassette	321 400 113	321 400 213	321 400 313
Foam carrier assembly, excl. Filter cassette	321 400 114	321 400 214	321 400 314

All data is subject to change without prior notification

# SMS 80/200



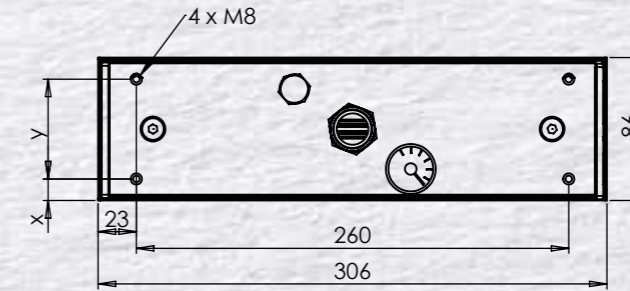
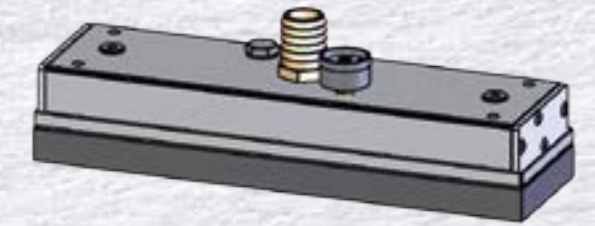
x=18mm for SMS 80/15.20 and 80/20, x=11.5mm for SMS 80/30 y=50mm for SMS 80/15.20 and 80/20, y=63mm for SMS 80/30

TECHNICAL DATA	SMS 80/200/15.20/20	SMS 80/200/20/20	SMS 80/200/30.25/20
Length (mm)	206	206	206
Width (mm)	86	86	86
Height with ejectors (mm)			
Height with hose connection (mm)	103	103	103
Weight with ejectors (kg)			
Weight with hose connection (kg)	1.0	1.0	1.0
Number of valves	44	36	18
Theoretical lifting force (N), all gripper covered			
@200mBar	44	68	80
@400mBar	88	137	160
@600mBar	132	206	240
@800mBar	176	275	320
Number of ejectors on gripper			
Air consumption (NI/min)			

ORDERING ARTICLE NUMBERS	SMS 80/200/15.20/20	SMS 80/200/20/20	SMS 80/200/30.25/20
-H1	300 200 150	300 200 250	300 200 350
-E	Only seaparately mounted ejectors available		
-ES			
-ER			

SPARE PARTS ARTICLE NUMBERS	SMS 80/200/15.20/20	SMS 80/200/20/20	SMS 80/200/30.25/20
Foam pad	330 200 152	330 200 252	330 200 352
Filter cassette	330 200 159	330 200 259	330 200 359
Foam carrier assembly, incl. Filter cassette	320 200 153	320 200 253	320 200 353
Foam carrier assembly, excl. Filter cassette	320 200 154	320 200 254	320 200 354

# SMS 80/300



x=18mm for SMS 80/15.20 and 80/20, x=11.5mm for SMS 80/30 y=50mm for SMS 80/15.20 and 80/20, y=63mm for SMS 80/30

TECHNICAL DATA	SMS 80/300/15.20/20	SMS 80/300/20/20	SMS 80/300/30.25/20
Length (mm)	306	306	306
Width (mm)	86	86	86
Height with ejectors (mm)			
Height with hose connection (mm)	103	103	103
Weight with ejectors (kg)			
Weight with hose connection (kg)	1.4	1.4	1.4
Number of valves	70	56	30
Theoretical lifting force (N), all gripper covered			
@200mBar	70	107	133
@400mBar	140	214	267
@600mBar	211	321	400
@800mBar	281	429	534
Number of ejectors on gripper			
Air consumption (NI/min)			

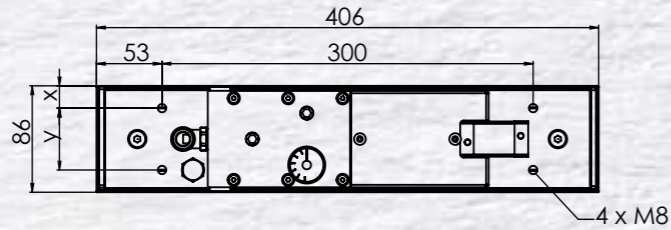
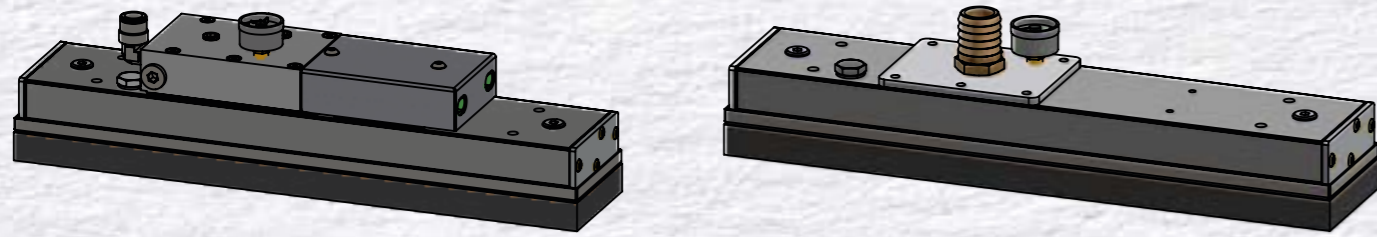
ORDERING ARTICLE NUMBERS	SMS 80/300/15.20/20	SMS 80/300/20/20	SMS 80/300/30.25/20
-H1	300 300 150	300 300 250	300 300 350
-E	Only seaparately mounted ejectors available		
-ES			
-ER			

SPARE PARTS ARTICLE NUMBERS	SMS 80/300/15.20/20	SMS 80/300/20/20	SMS 80/300/30.25/20
Foam pad	330 300 152	330 300 252	330 300 352
Filter cassette	330 300 159	330 300 259	330 300 359
Foam carrier assembly, incl. Filter cassette	320 300 153	320 300 253	320 300 353
Foam carrier assembly, excl. Filter cassette	320 300 154	320 300 254	320 300 354

All data is subject to change without prior notification



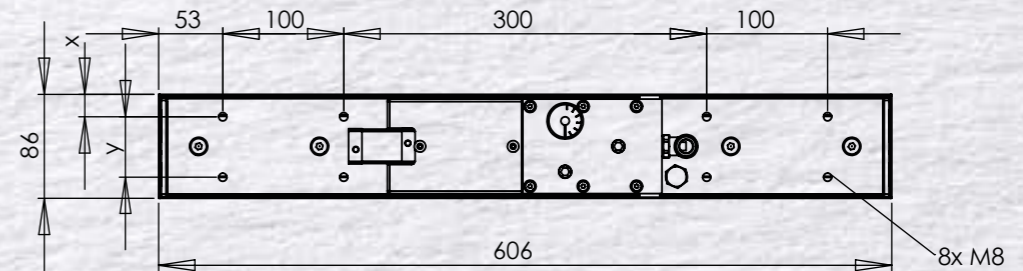
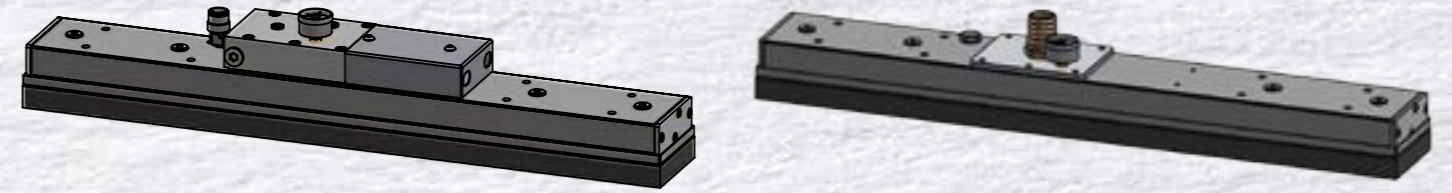
# SMS 80/400



x=18mm for SMS 80/15.20 and 80/20, x=11.5mm for SMS 80/30 y=50mm for SMS 80/15.20 and 80/20, y=63mm for SMS 80/30

TECHNICAL DATA	SMS 80/400/15.20/20	SMS 80/400/20/20	SMS 80/400/30/20
Length (mm)	406	406	406
Width (mm)	86	86	86
Height with ejectors (mm)	112	112	112
Height with hose connection (mm)	103	103	103
Weight with ejectors (kg)	2.7	2.7	2.7
Weight with hose connection (kg)	2	2	2
Number of valves	100	76	39
Theoretical lifting force (N), all gripper covered			
@200mBar	100	145	173
@400mBar	201	291	347
@600mBar	301	436	520
@800mBar	402	582	694
Number of ejectors on gripper	1	1	1
Air consumption (NI/min)	315	315	210
<b>ORDERING ARTICLE NUMBERS</b>			
-H1	300 400 150	300 400 250	300 400 350
-H2	300 400 154	300 400 254	300 400 214
-E	300 400 152	300 400 252	300 400 352
-ES	300 400 153	300 400 253	300 400 353
-ER	300 400 151	300 400 251	300 400 351
<b>SPARE PARTS ARTICLE NUMBERS</b>			
Foam pad	330 400 152	330 400 252	330 400 352
Filter cassette	330 400 159	330 400 259	330 400 359
Foam carrier assembly, incl. Filter cassette	320 400 153	320 400 253	320 400 353
Foam carrier assembly, excl. Filter cassette	320 400 154	320 400 254	320 400 354

# SMS 80/600

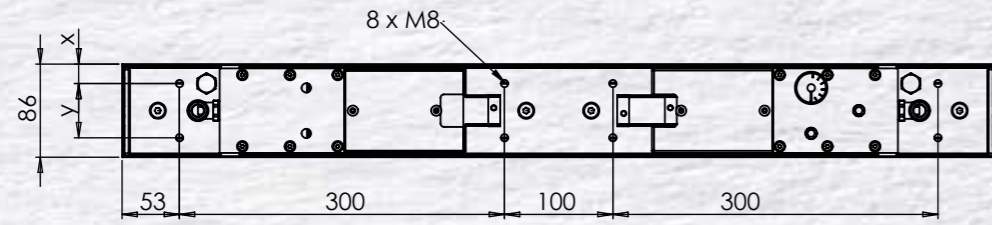
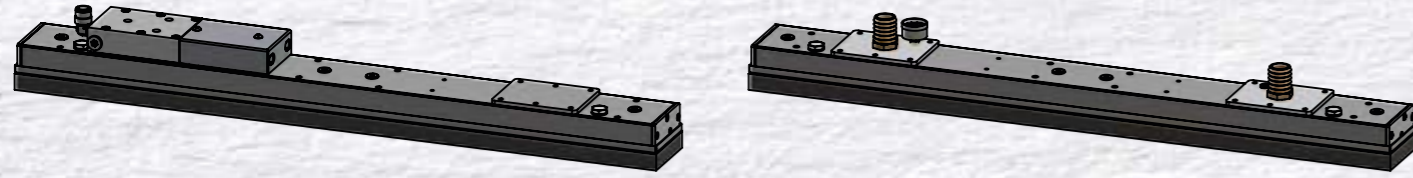


x=18mm for SMS 80/15.20 and 80/20, x=11.5mm for SMS 80/30 y=50mm for SMS 80/15.20 and 80/20, y=63mm for SMS 80/30

TECHNICAL DATA	SMS 80/600/15.20/20	SMS 80/600/20/20	SMS 80/600/30/20
Length (mm)	606	606	606
Width (mm)	86	86	86
Height with ejectors (mm)	112	112	112
Height with hose connection (mm)	103	103	103
Weight with ejectors (kg)	4.3	3.6	3.6
Weight with hose connection (kg)	2.9	2.9	2.9
Number of valves	154	116	60
Theoretical lifting force (N), all gripper covered			
@200mBar	154	222	267
@400mBar	309	444	534
@600mBar	464	666	801
@800mBar	619	889	1068
Number of ejectors on gripper	2	1	1
Air consumption (NI/min)	525	315	210
<b>ORDERING ARTICLE NUMBERS</b>			
-H1	300 600 150	300 600 250	300 600 350
-H2	300 600 154	300 600 254	300 600 214
-E	300 600 152	300 600 252	300 600 352
-ES		300 600 253	300 600 353
-ER	300 600 151	300 600 251	300 600 351
<b>SPARE PARTS ARTICLE NUMBERS</b>			
Foam pad	330 600 152	330 600 252	330 600 352
Filter cassette	330 600 159	330 600 259	330 600 359
Foam carrier assembly, incl. Filter cassette	320 600 153	320 600 253	320 600 353
Foam carrier assembly, excl. Filter cassette	320 600 154	320 600 254	320 600 354

All data is subject to change without prior notification

# SMS 80/800



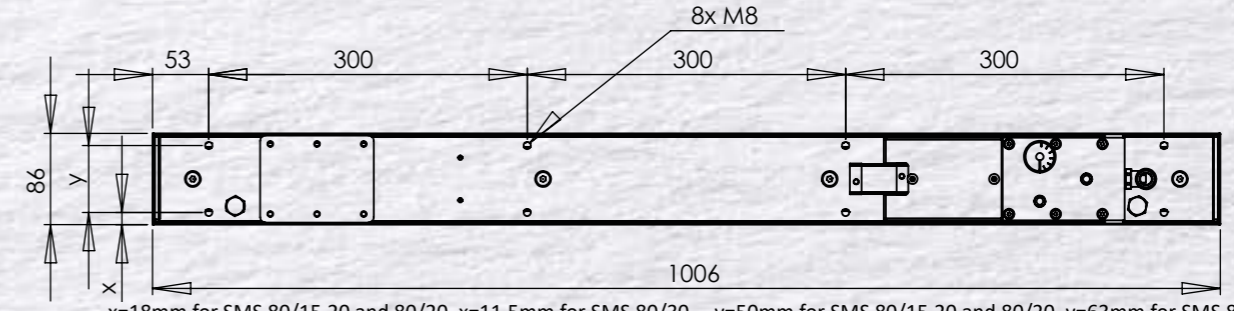
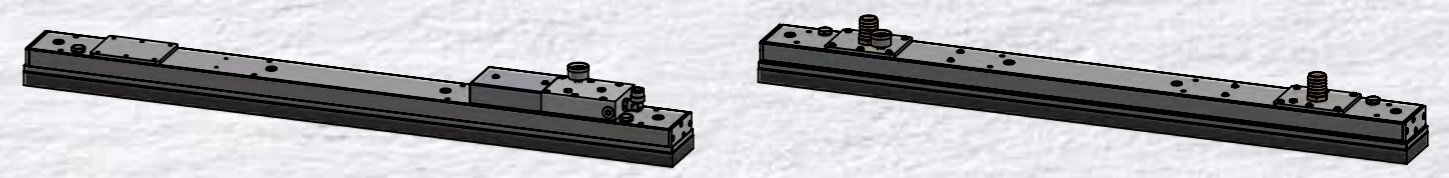
x=18mm for SMS 80/15.20 and 80/20, x=11.5mm for SMS 80/30 y=50mm for SMS 80/15.20 and 80/20, y=63mm for SMS 80/30

TECHNICAL DATA	SMS 80/800/15.20/20	SMS 80/800/20/20	SMS 80/800/30/20
Length (mm)	806	806	806
Width (mm)	86	86	86
Height with ejectors (mm)	112	112	112
Height with hose connection (mm)	103	103	103
Weight with ejectors (kg)	5.6	5.6	4.9
Weight with hose connection (kg)	4.2	4.2	4.2
Number of valves	208	156	78
Theoretical lifting force (N), all gripper covered			
@200mBar	209	298	347
@400mBar	418	597	694
@600mBar	627	896	1041
@800mBar	836	1195	1388
Number of ejectors on gripper	2	2	1
Air consumption (NI/min)	630	525	315

ORDERING ARTICLE NUMBERS	SMS 80/800/15.20/20	SMS 80/800/20/20	SMS 80/800/30/20
-H1	300 800 150	300 800 250	300 800 350
-H2	300 800 154	300 800 254	300 800 214
-E	300 800 152	300 800 252	300 800 352
-ES	300 800 153	300 800 253	300 800 353
-ER	300 800 151	300 800 251	300 800 351

SPARE PARTS ARTICLE NUMBERS	SMS 80/800/15.20/20	SMS 80/800/20/20	SMS 80/800/30/20
Foam pad	330 800 152	330 800 252	330 800 352
Filter cassette	330 800 159	330 800 259	330 800 359
Foam carrier assembly, incl. Filter cassette	320 800 153	320 800 253	320 800 353
Foam carrier assembly, excl. Filter cassette	320 800 154	320 800 254	320 800 354

# SMS 80/1000



x=18mm for SMS 80/15.20 and 80/20, x=11.5mm for SMS 80/30 y=50mm for SMS 80/15.20 and 80/20, y=63mm for SMS 80/30

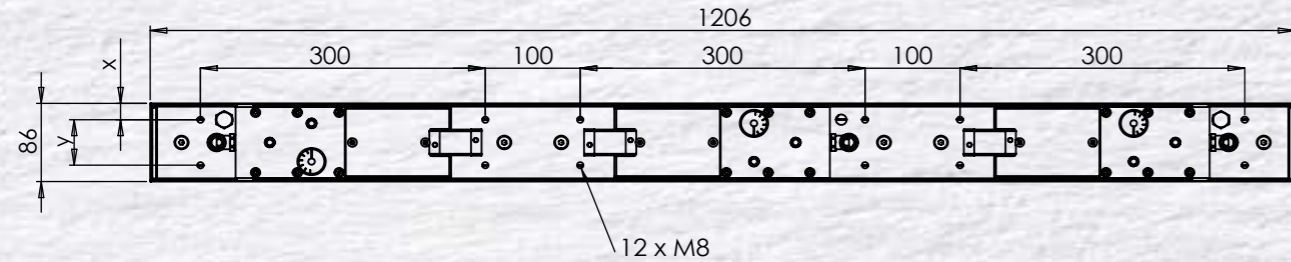
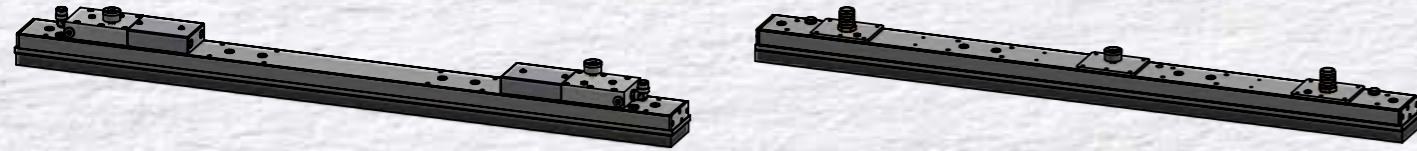
TECHNICAL DATA	SMS 80/1000/15.20/20	SMS 80/1000/20/20	SMS 80/1000/30/20
Length (mm)	1006	1006	1006
Width (mm)	86	86	86
Height with ejectors (mm)	112	112	112
Height with hose connection (mm)	103	103	103
Weight with ejectors (kg)	7.3	6.6	5.9
Weight with hose connection (kg)	5.2	5.2	5.2
Number of valves	260	196	99
Theoretical lifting force (N), all gripper covered			
@200mBar	261	375	440
@400mBar	522	751	881
@600mBar	784	1126	1321
@800mBar	1045	1502	1762
Number of ejectors on gripper	3	2	1
Air consumption (NI/min)	840	630	315

ORDERING ARTICLE NUMBERS	SMS 80/1000/15.20/20	SMS 80/1000/20/20	SMS 80/1000/30/20
-H1	301 000 150	301 000 250	301 000 350
-H2	301 000 154	301 000 254	301 000 214
-E	301 000 152	301 000 252	301 000 352
-ES		301 000 253	301 000 353
-ER	301 000 151	301 000 251	301 000 351

SPARE PARTS ARTICLE NUMBERS	SMS 80/1000/15.20/20	SMS 80/1000/20/20	SMS 80/1000/30/20
Foam pad	331 000 152	331 000 252	331 000 352
Filter cassette	331 000 159	331 000 259	331 000 359
Foam carrier assembly, incl. Filter cassette	321 000 153	321 000 253	321 000 353
Foam carrier assembly, excl. Filter cassette	321 000 154	321 000 254	321 000 354

All data is subject to change without prior notification

# SMS 80/1200



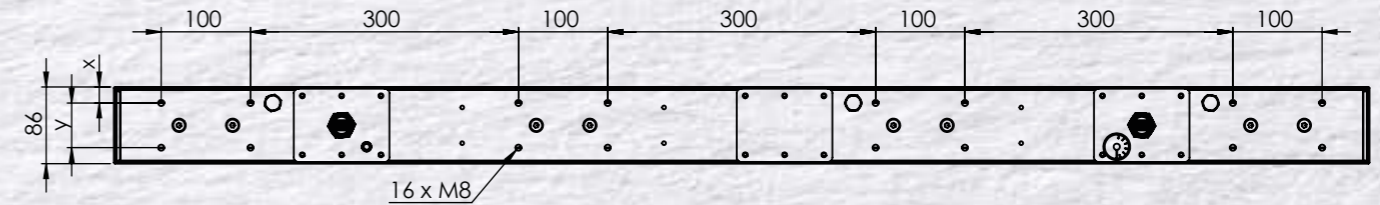
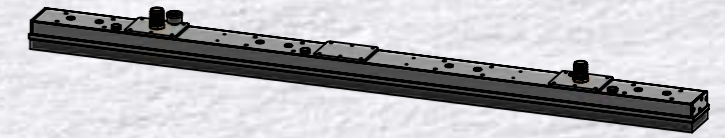
x=18mm for SMS 80/15.20 and 80/20, x=11.5mm for SMS 80/30 y=50mm for SMS 80/15.20 and 80/20, y=63mm for SMS 80/30

TECHNICAL DATA	SMS 80/1200/15.20/20	SMS 80/1200/20/20	SMS 80/1200/30/20
Length (mm)	1206	1206	1206
Width (mm)	86	86	86
Height with ejectors (mm)	112	112	112
Height with hose connection (mm)	103	103	103
Weight with ejectors (kg)	8.4	8.4	7.7
Weight with hose connection (kg)	6.3	6.3	6.3
Number of valves	314	236	117
Theoretical lifting force (N), all gripper covered			
@200mBar	315	452	520
@400mBar	631	904	1041
@600mBar	947	1356	1562
@800mBar	1262	1809	2082
Number of ejectors on gripper	3	3	2
Air consumption (NI/min)	945	735	420

ORDERING ARTICLE NUMBERS	SMS 80/1200/15.20/20	SMS 80/1200/20/20	SMS 80/1200/30/20
-H1	301 200 150	301 200 250	301 200 350
-H2	301 200 154	301 200 254	301 200 214
-E	301 200 152	301 200 252	301 200 352
-ES		301 200 253	301 200 353
-ER	301 200 151	301 200 251	301 200 351

SPARE PARTS ARTICLE NUMBERS	SMS 80/1200/15.20/20	SMS 80/1200/20/20	SMS 80/1200/30/20
Foam pad	331 200 152	331 200 252	331 200 352
Filter cassette	331 200 159	331 200 259	331 200 359
Foam carrier assembly, incl. Filter cassette	321 200 153	321 200 253	321 200 353
Foam carrier assembly, excl. Filter cassette	321 200 154	321 200 254	321 200 354

# SMS 80/1400



x=18mm for SMS 80/15.20 and 80/20, x=11.5mm for SMS 80/30 y=50mm for SMS 80/15.20 and 80/20, y=63mm for SMS 80/30

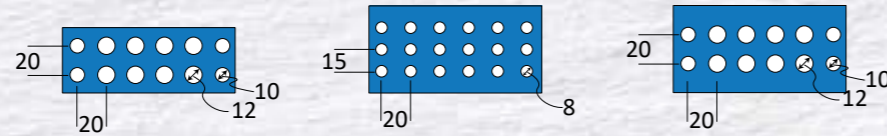
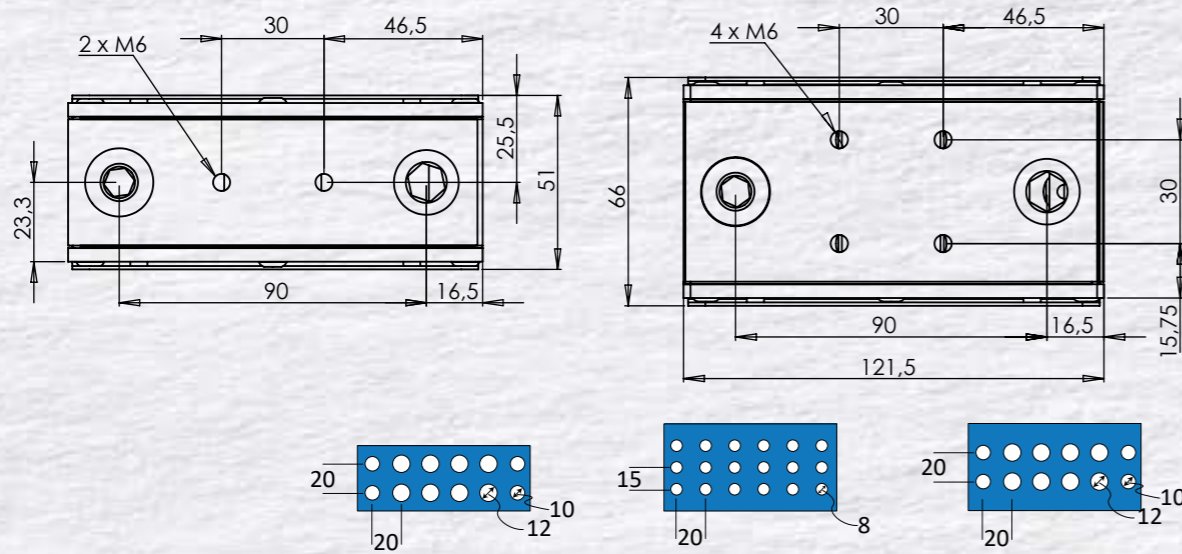
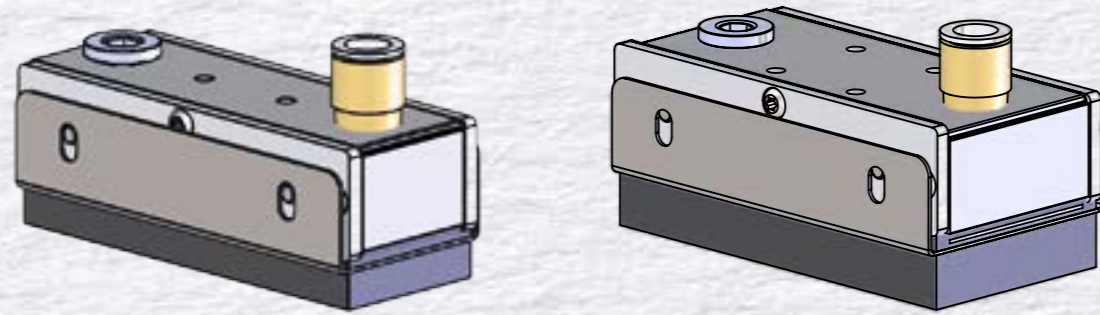
TECHNICAL DATA	SMS 80/1400/15.20/20	SMS 80/1400/20/20	SMS 80/1400/30/20
Length (mm)	1406	1406	1406
Width (mm)	86	86	86
Height with ejectors (mm)	112	112	112
Height with hose connection (mm)	103	103	103
Weight with ejectors (kg)			7.7
Weight with hose connection (kg)	6.6	6.6	6.6
Number of valves	366	276	138
Theoretical lifting force (N), all gripper covered			
@200mBar	367	528	614
@400mBar	735	1057	1228
@600mBar	1103	1586	1842
@800mBar	1471	2115	2456
Number of ejectors on gripper			2
Air consumption (NI/min)			525

ORDERING ARTICLE NUMBERS	SMS 80/1400/15.20/20	SMS 80/1400/20/20	SMS 80/1400/30/20
-H1	301 400 150	301 400 250	301 400 350
-H2	301 400 154	301 400 254	301 400 214
-E			301 400 352
-ES			301 400 353
-ER			301 400 351

SPARE PARTS ARTICLE NUMBERS	SMS 80/1400/15.20/20	SMS 80/1400/20/20	SMS 80/1400/30/20
Foam pad	331 400 152	331 400 252	331 400 352
Filter cassette	331 400 159	331 400 259	331 400 359
Foam carrier assembly, incl. Filter cassette	321 400 153	321 400 253	321 400 353
Foam carrier assembly, excl. Filter cassette	321 400 154	321 400 254	321 400 354

All data is subject to change without prior notification

# SMS MINI 120/45 & 120/60

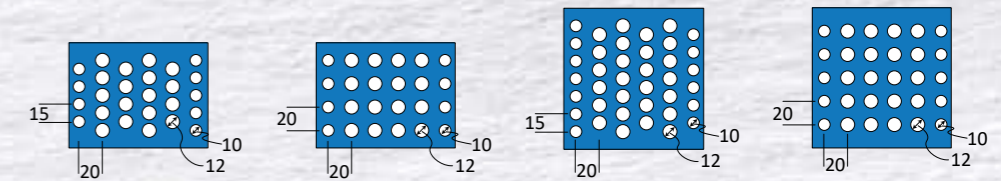
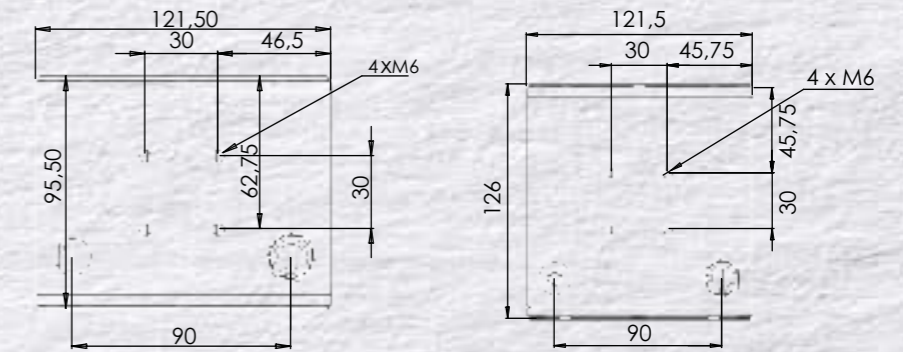
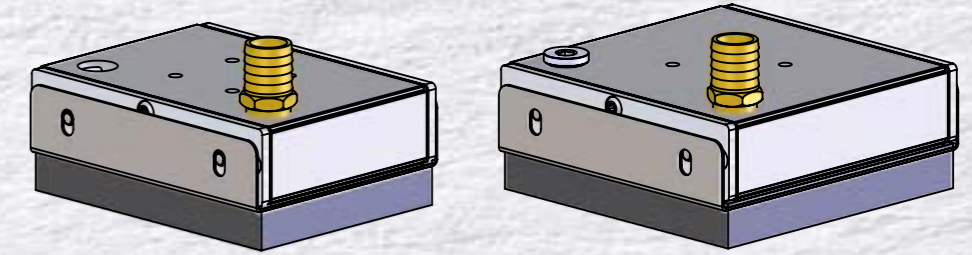


TECHNICAL DATA	SMS 120/45/20/10	SMS 120/60/15.20/15	SMS 120/60/20/15
Length (mm)	51	66	66
Width (mm)	121.5	121.5	121.5
Height with hose connection (mm)	64	64	64
Weight with hose connection (kg)	0.35	0.4	0.4
Default hose connection size	Push-in, 12mm	Push-in, 12mm	Push-in, 12mm
Number of valves	12	18	12
Theoretical lifting force (N), all gripper covered			
@200mBar	24	18	24
@400mBar	48	36	48
@600mBar	73	54	73
@800mBar	97	72	97

ORDERING ARTICLE NUMBERS	SMS 120/45/20/10	SMS 120/60/15.20/15	SMS 120/60/20/15
With default hose connection	300 045 210	300 060 110	300 060 210

SPARE PARTS ARTICLE NUMBERS	SMS 120/45/20/10	SMS 120/60/15.20/15	SMS 120/60/20/15
Foam pad	330 045 211	330 060 111	330 060 211
Gasket	330 045 218	330 060 118	330 060 218
Foam carrier assembly	320 045 211	320 060 111	320 060 211

# SMS MINI 120/90 & 120/120



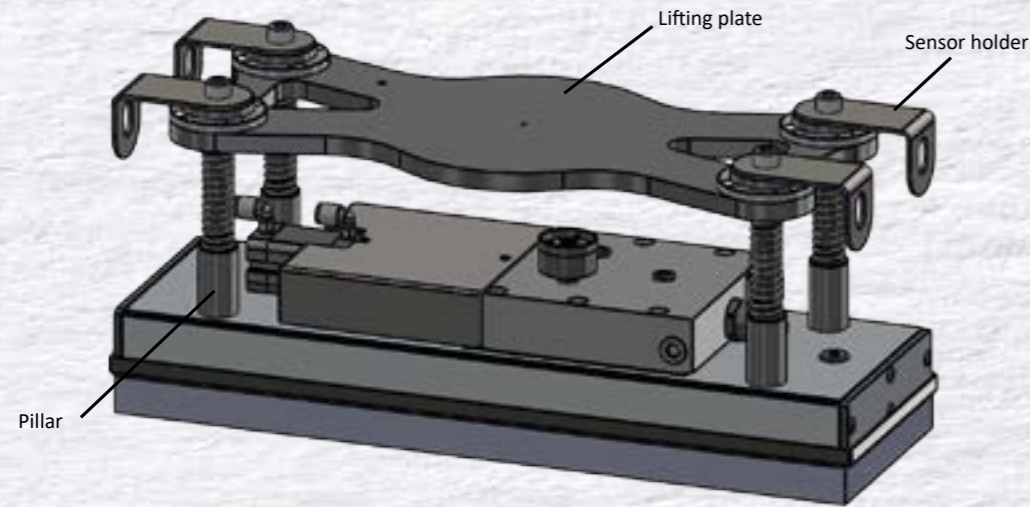
TECHNICAL DATA	SMS 120/90/15.20/15	SMS 120/90/20/15	SMS 120/120/15.20/15	SMS 120/120/20/15
Length (mm)	96	96	126	126
Width (mm)	121.5	121.5	121.5	121.5
Height with hose connection (mm)	80	80	80	80
Weight with hose connection (kg)	0.45	0.45	0.6	0.6
Default hose connection size	18mm	18mm	18mm	18mm
Number of valves	27	24	39	30
Theoretical lifting force (N), all gripper covered				
@200mBar	54	48	79	60
@400mBar	108	96	156	120
@600mBar	164	146	237	182
@800mBar	219	195	316	243

ORDERING ARTICLE NUMBERS	SMS 120/90/15.20/15	SMS 120/90/20/15	SMS 120/120/15.20/15	SMS 120/120/20/15
With default hose connection	300 090 110	300 090 110	300 120 110	300 120 210

SPARE PARTS ARTICLE NUMBERS	SMS 120/90/15.20/15	SMS 120/90/20/15	SMS 120/120/15.20/15	SMS 120/120/20/15
Foam pad	330 090 111	330 090 111	330 120 111	330 120 211
Gasket	330 090 118	330 090 118	330 120 118	330 120 218
Foam carrier assembly	320 090 111	320 090 111	320 120 111	320 120 211

All data is subject to change without prior notification

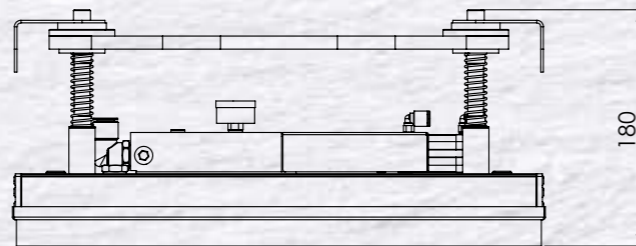
# SMS FLOATING ATTACHMENT



The floating attachment is a popular accessory available for all SMS 80 and SMS 120 grippers. The floating attachment consists of four pillars, along which a lifting plate can slide up and down.

The floating attachment allows the SMS unit to move vertically relative to the robot, gantry or similar device to which it is attached. This means that the SMS unit can be aligned with the object to be lifted, even if the object is not aligned with the device. The floating attachment also helps getting a good compression of the foam pad before activating vacuum to lift an object.

The floating attachment is equipped with four sensor holders, which, if equipped with sensors give a signal when the gripper is properly placed on the object and thus provides an indication when it is time to activate the vacuum.



ORDERING ARTICLE NUMBERS	120/X/15.20, 120/20	120/X/30	80/X/15.20, 80/X/20	80/X/30.25
Length 200 mm	340 341 209	340 341 208	340 341 230	340 341 229
Length 300 mm	340 341 205	340 341 204	340 341 228	340 341 227
Lengths 400 mm, 600 mm, 1000 mm, 1200 mm and 1400 mm	340 341 201	340 341 200	340 341 226	340 341 225
Length 800 mm	340 341 203	340 341 202	340 341 232	340 341 231

ACCESSORIES	
Inductive sensor with cable, 2m	340 341 207

# CUSTOMIZING THE SMS

The Standard Module System opens up for many kinds of customizations, which may be needed for getting the right function of the SMS unit. Making customizations quickly and efficiently is a core competence of the UniGripper organization and the customization possibilities range from minor changes as in foam pad design, to modifications of the SMS profile and further on to lifting systems integrating multiple SMS units. Below are the most common customizations presented and characterized in terms of degree of customization.

## FOAM PAD THICKNESS

For all SMS units apart from the SMS Mini series, the default foam pad thickness is 20mm. In case the surface handled objects have a lot of height variation, a thicker foam pad might be needed. For other applications a foam pad thinner than 20mm might be the best option.

## FOAM PAD HOLE DESIGN

By modifying the design of the suction holes the SMS gripper can get new abilities, like handling empty glass jars, lifting thinner or smaller objects or lifting heavier objects.

## GRIPPER LENGTH

Sometimes the standard lengths of the SMS are not quite right. The length of the SMS can be customized anywhere in the interval of 30-6000 mm.

## SPECIALIZED SOLUTIONS

The SMS grippers are excellent to use as components in more complex lifting devices. UniGripper have long experience in designing such specialized solutions and we can supply anything from grippers alone to turn-key solutions that just need to be installed and connected to a robot or gantry system.



Degree of Customization

## FOAM PAD MATERIAL

By default, the SMS unit is equipped with a high-quality generic foam material. UniGripper offers a broad range of foam materials for different specific needs; from foam pads with extra wear resistance to foams for food applications.

## FOAM CARRIER SIZE

Broadening the foam carrier plate allows wider distribution of the vacuum and can increase the lifting force on an object.

## VALVE CONFIGURATION

The standard valve configuration available for the SMS gives good options for almost any scenario. Sometimes, however, other configurations may be more beneficial.

All data is subject to change without prior notification

# BASIC

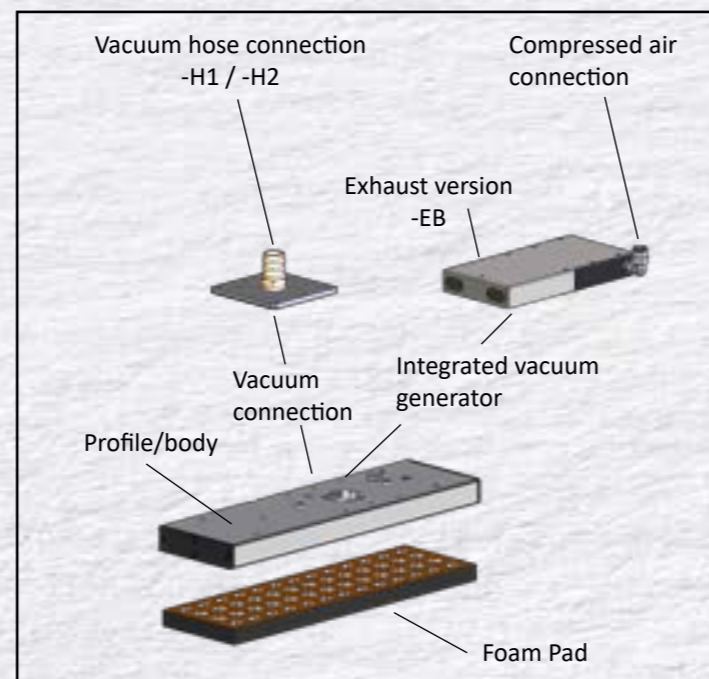


UniGripper Basic is a series of foam grippers with focus on cost effectiveness and simplicity.

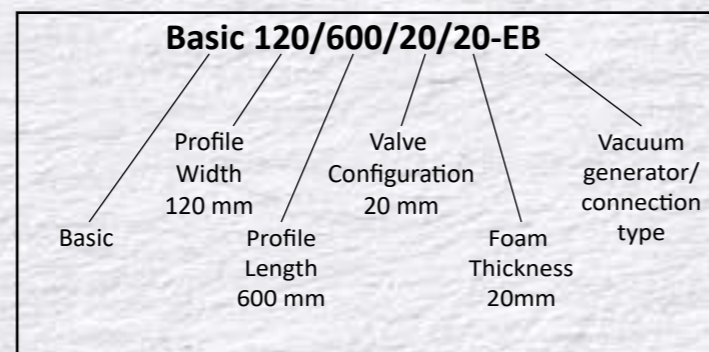
UniGripper Basic is primarily intended for handling of low-porosity materials with high coverage of product.

The gripper consists of a profile which distributes the vacuum over the surface. The profile does not include the UniGripper valves, so there is no focusing of the vacuum flow to where objects are located. The foam pad is glued directly to the gripper profile with an easy-to-remove tape.

UniGripper Basic is available in lengths of 400, 600, 850, 1000, 1250 and 1400mm. The grippers can either be equipped with integrated vacuum generators (Ejector-EB) or with hose connections for connection of an external vacuum source.

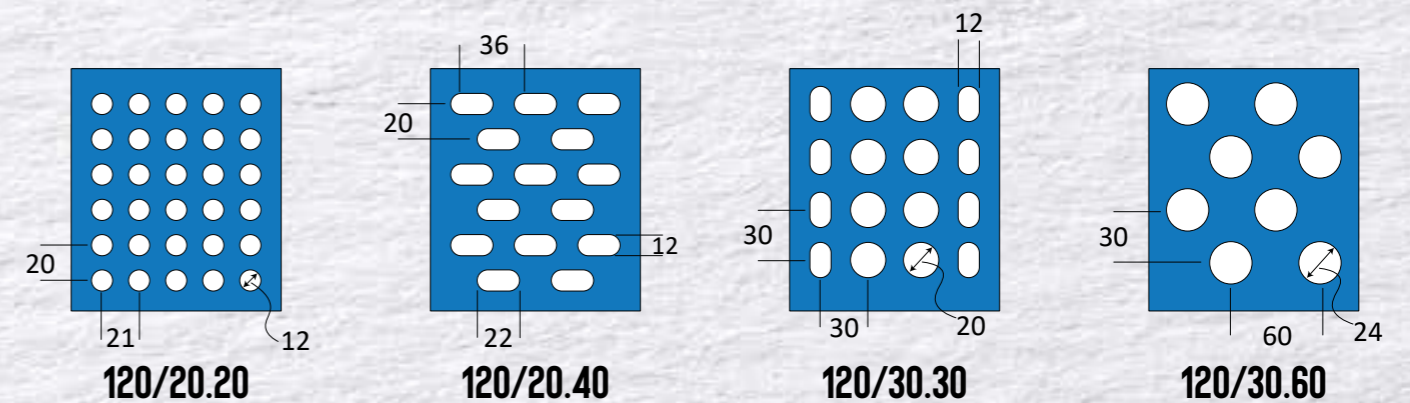


## BASIC TYPE NUMBER EXPLANATION



## HOLE CONFIGURATIONS

Each Basic gripper length is available in either two or four hole configurations, as shown below. The 20.40 configuration is typically used for long, thin objects. The 30.60 is typically used for large plates. The 30.30 configuration is able to handle many boxes of high cardboard quality and the 20.20 configuration is the most generic configuration enabling handling of also relatively small objects.



## VACUUM GENERATION

Each length of the Basic unit has one or more locations where vacuum pumps can be connected. For most lengths, ejectors, which are vacuum pumps that generate vacuum with compressed air and the venturi principle, can be mounted directly on the gripper unit, these vacuum pumps. Alternatively, the grippers can be equipped with hose connections for connecting an external vacuum pump to the gripper.



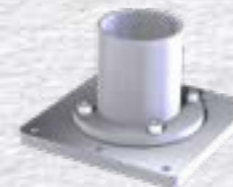
### EJECTOR-EB

Compact and simple vacuum pump in a single configuration



### HOSE CONNECTION -H1

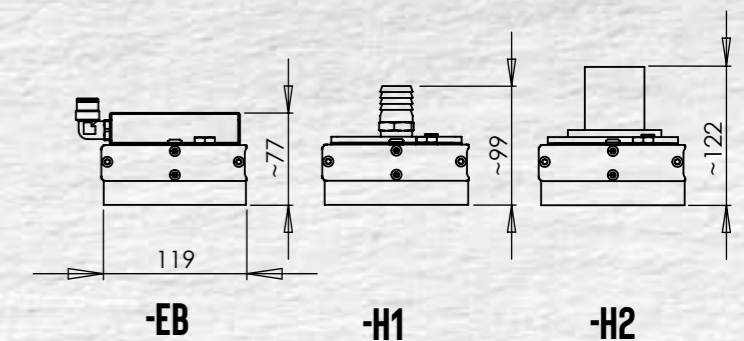
Hose connection for 1"/25mm vacuum hoses



### HOSE CONNECTION -H2

Hose connection for 2"/51mm vacuum hoses

## HEIGHTS AND SIDE DIMENSIONS



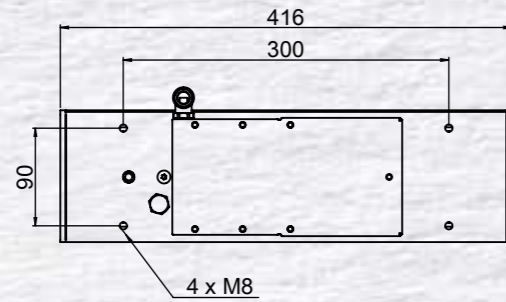
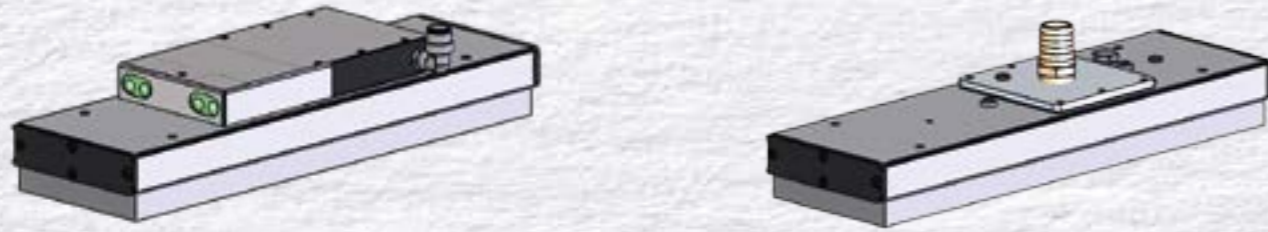
## FLOATING ATTACHMENT

The floating attachment is a standard option for UniGripper Basic, which allows the gripper to move vertically relative the machine that integrates the gripper. The same floating attachment fits all UniGripper Basic variants. The floating attachment comes with four floating attachment pillars and a lifting plate. Optionally, the floating attachment can be equipped with up to four sensor holders and inductive sensors.

ORDERING ARTICLE NUMBERS	
Floating attachment	340 341 210
Sensor bracket	340 341 206
Inductive sensor with cable, 2m	340 341 207

All data is subject to change without prior notification

# BASIC 120/400

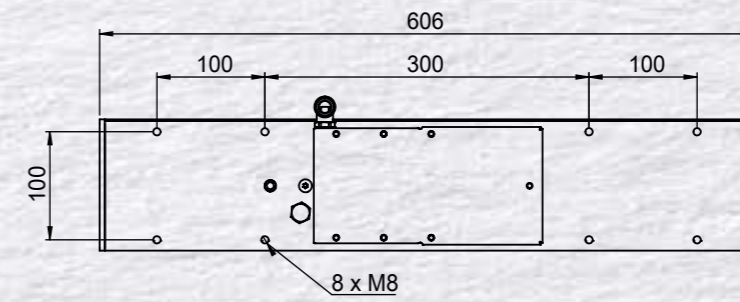
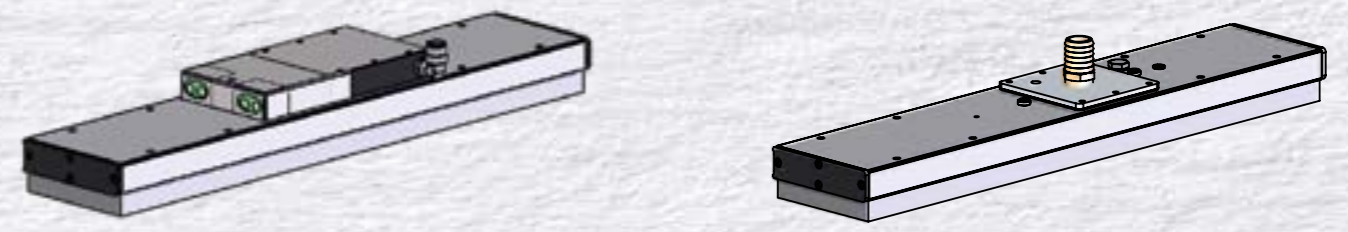


TECHNICAL DATA	120/400/20.20/20	120/400/20.40/20	120/400/30.30/20	120/400/30.60/20
Length (mm)	416	416	416	416
Width (mm)	121.5	121.5	121.5	121.5
Height with ejectors (mm)	77	77	77	77
Height with hose connection (mm)	99	99	99	99
Weight with ejectors (kg)	2.3	2.3	2.3	2.3
Weight with hose connection (kg)	1.9	1.9	1.9	1.9
Number of suction holes	95	48	52	26
Theoretical lifting force (N), all gripper covered				
@200mBar	214	223	271	235
@400mBar	429	447	543	470
@600mBar	644	671	815	705
@800mBar	859	894	1087	940
Number of ejectors on gripper	1	1	1	1
Air consumption (NI/min)	315	210	210	105

ORDERING ARTICLE NUMBERS	120/400/20.20/20	120/400/20.40/20	120/400/30.30/20	120/400/30.60/20
-H1	310 400 015	310 400 016	310 400 017	310 400 018
-H2	310 400 210	310 400 211	310 400 212	310 400 213
-EB	310 400 010	310 400 011	310 400 012	310 400 013

SPARE PARTS ARTICLE NUMBERS	120/400/20.20/20	120/400/20.40/20	120/400/30.30/20	120/400/30.60/20
Foam pad	330 400 210	330 400 220	330 400 310	330 400 320

# BASIC 120/600



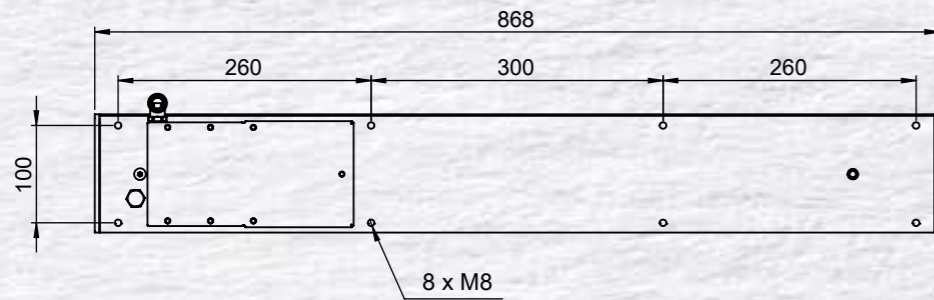
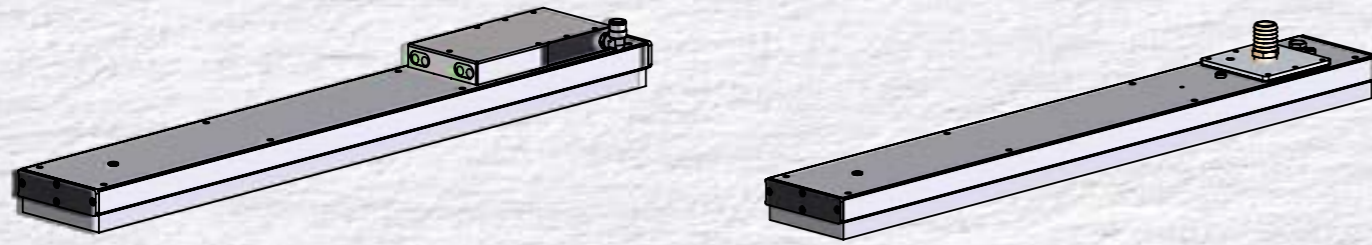
TECHNICAL DATA	120/600/20.20/20	120/600/20.40/20	120/600/30.30/20	120/600/30.60/20
Length (mm)	606	606	606	606
Width (mm)	121.5	121.5	121.5	121.5
Height with ejectors (mm)	77	77	77	77
Height with hose connection (mm)	99	99	99	99
Weight with ejectors (kg)	3.2	3.2	3.2	3.2
Weight with hose connection (kg)	2.8	2.8	2.8	2.8
Number of suction holes	145	73	76	38
Theoretical lifting force (N), all gripper covered				
@200mBar	327	340	397	343
@400mBar	655	680	795	687
@600mBar	983	1020	1192	1031
@800mBar	1311	1360	1590	1375
Number of ejectors on gripper	1	1	1	1
Air consumption (NI/min)	420	210	210	105

ORDERING ARTICLE NUMBERS	120/600/20.20/20	120/600/20.40/20	120/600/30.30/20	120/600/30.60/20
-H1	310 600 015	310 600 016	310 600 017	310 600 018
-H2	310 600 210	310 600 211	310 600 212	310 600 213
-EB	310 600 010	310 600 011	310 600 012	310 600 013

SPARE PARTS ARTICLE NUMBERS	120/600/20.20/20	120/600/20.40/20	120/600/30.30/20	120/600/30.60/20
Foam pad	330 600 210	330 600 220	330 600 310	330 600 320

All data is subject to change without prior notification

# BASIC 120/850

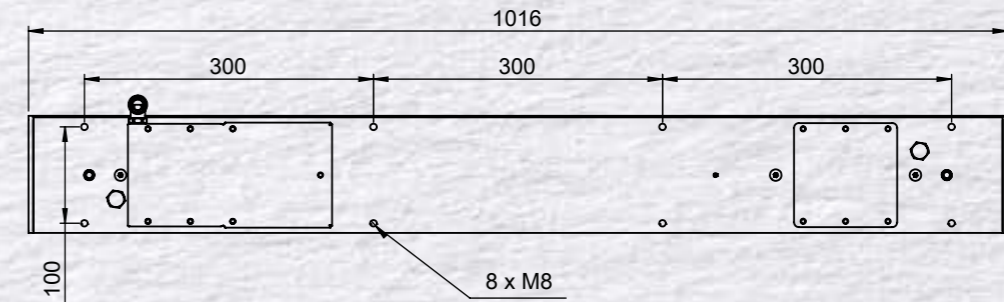
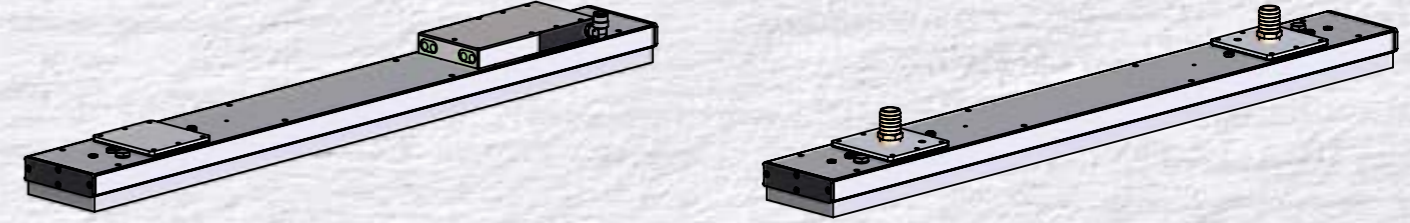


TECHNICAL DATA	120/850/30.30/20	120/850/30.60/20
Length (mm)	868	868
Width (mm)	121.5	121.5
Height with ejectors (mm)	77	77
Height with hose connection (mm)	99	99
Weight with ejectors (kg)	4.2	4.2
Weight with hose connection (kg)	3.8	3.8
Number of suction holes	112	56
Theoretical lifting force (N), all gripper covered		
@200mBar	585	506
@400mBar	1171	1013
@600mBar	1757	1520
@800mBar	2343	2026
Number of ejectors on gripper	1	1
Air consumption (NI/min)	210	105

ORDERING ARTICLE NUMBERS	120/850/30.30/20	120/850/30.60/20
-H1	310 800 017	310 800 018
-H2	310 800 212	310 800 213
-EB	310 800 012	310 800 013

SPARE PARTS ARTICLE NUMBERS	120/850/30.30/20	120/850/30.60/20
Foam pad	330 800 310	330 800 320

# BASIC 120/1000



TECHNICAL DATA	120/1000/30.30/20	120/1000/30.60/20
Length (mm)	1016	1016
Width (mm)	121.5	121.5
Height with ejectors (mm)	77	77
Height with hose connection (mm)	99	99
Weight with ejectors (kg)	4.8	4.8
Weight with hose connection (kg)	4.4	4.4
Number of suction holes	132	66
Theoretical lifting force (N), all gripper covered		
@200mBar	690	597
@400mBar	1380	1194
@600mBar	2071	1791
@800mBar	2761	2388
Number of ejectors on gripper	1	1
Air consumption (NI/min)	420	210

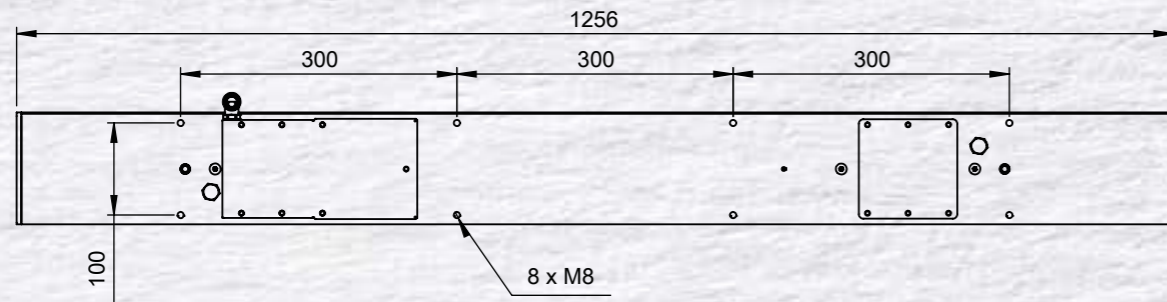
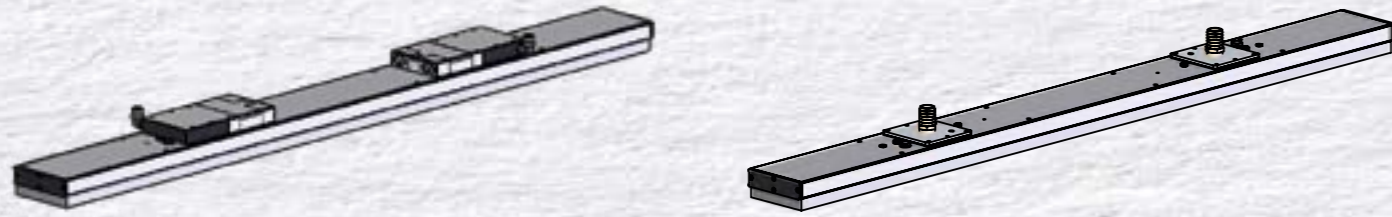
ORDERING ARTICLE NUMBERS	120/1000/30.30/20	120/1000/30.60/20
-H1	311 000 017	311 000 018
-H2	311 000 212	311 000 213
-EB	311 000 012	311 000 013

SPARE PARTS ARTICLE NUMBERS	120/1000/30.30/20	120/1000/30.60/20
Foam pad	331 000 310	331 000 320

All data is subject to change without prior notification



# BASIC 120/1250

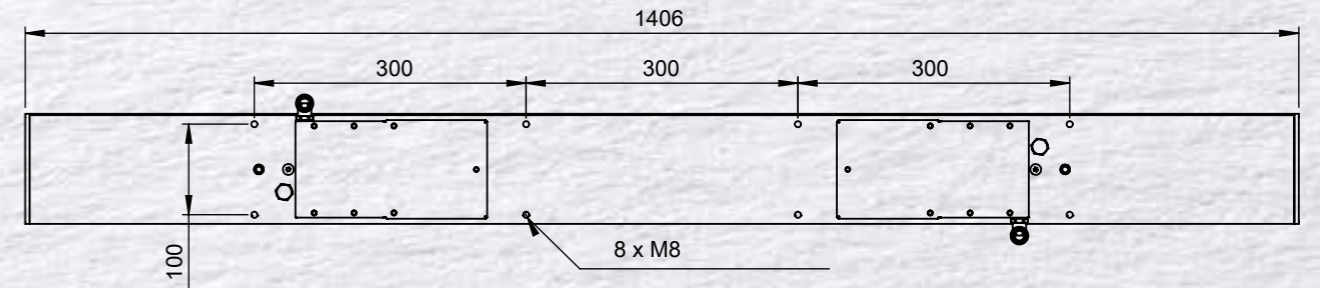
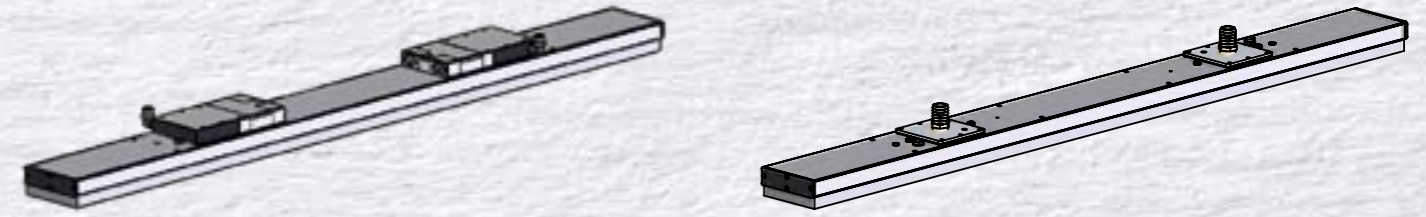


TECHNICAL DATA	120/1250/20.20/20	120/1250/20.40/20	120/1250/30.30/20	120/1250/30.60/20
Length (mm)	1256	1256	1256	1256
Width (mm)	121.5	121.5	121.5	121.5
Height with ejectors (mm)	77	77	77	77
Height with hose connection (mm)	99	99	99	99
Weight with ejectors (kg)	5.9	5.5	5.5	5.5
Weight with hose connection (kg)	5.1	5.1	5.1	5.1
Number of suction holes	305	153	164	82
Theoretical lifting force (N), all gripper covered				
@200mBar	689	713	857	741
@400mBar	1379	1426	1715	1483
@600mBar	2069	2139	2573	2225
@800mBar	2759	2852	3431	2967
Number of ejectors on gripper	2	1	1	1
Air consumption (NI/min)	840	420	420	210

ORDERING ARTICLE NUMBERS	120/1250/20.20/20	120/1250/20.40/20	120/1250/30.30/20	120/1250/30.60/20
-H1	311 250 015	311 250 016	311 250 017	311 250 018
-H2	311 250 210	311 250 211	311 250 212	311 250 213
-EB	311 250 010	311 250 011	311 250 012	311 250 013

SPARE PARTS ARTICLE NUMBERS	120/1250/20.20/20	120/1250/20.40/20	120/1250/30.30/20	120/1250/30.60/20
Foam pad	331 250 210	331 250 220	331 250 310	331 250 320

# BASIC 120/1400



TECHNICAL DATA	120/1400/30.30/20	120/1400/30.60/20
Length (mm)	1406	1406
Width (mm)	121.5	121.5
Height with ejectors (mm)	77	77
Height with hose connection (mm)	99	99
Weight with ejectors (kg)	6.7	6.3
Weight with hose connection (kg)	5.9	5.9
Number of suction holes	184	92
Theoretical lifting force (N), all gripper covered		
@200mBar	962	832
@400mBar	1924	1664
@600mBar	2887	2497
@800mBar	3849	3329
Number of ejectors on gripper	2	1
Air consumption (NI/min)	525	315

ORDERING ARTICLE NUMBERS	120/1400/30.30/20	120/1400/30.60/20
-H1	311 400 017	311 400 018
-H2	311 400 212	311 400 213
-EB	311 400 012	311 400 013

SPARE PARTS ARTICLE NUMBERS	120/1400/30.30/20	120/1400/30.60/20
Foam pad	331 400 310	331 400 320

All data is subject to change without prior notification

# UNIGRIPPER CO/LIGHT



UniGripper Co/Light is the next generation of UniGripper LightWeight targeted for low-payload robots in general and collaborative robots in particular.

UniGripper Co/Light is designed without sharp edges to enable gentle collaboration combined with impressive vacuum force and ultra-low weight.

UniGripper Co/Light is available in two different sizes, Regular and Mini. The standard versions come with a dense valve pitch that allows even small objects to be picked up without knowing the object's exact position.

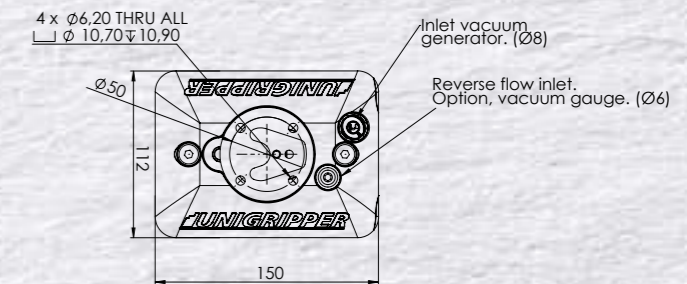
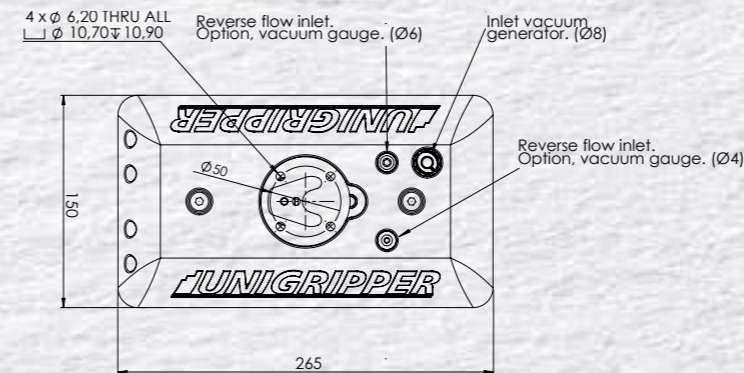
Installation on robots is very easy as UniGripper Co/Light is equipped with a sleek snap-in connection, which makes it possible to slide the Co/Light on and off from the robot.



## UNIGRIPPER CONTROL BOX

UniGripper Co/Light can be ordered with a control box that includes all pneumatic functions needed for controlling the gripper- a pneumatic valve and a vacuum sensor.

For installations in a Universal Robot environment, a UR Cap is available for download at [www.unigripper.com/UR](http://www.unigripper.com/UR) which makes integration of a UniGripper Co/Light with the UniGripper Control box extra easy.



TECHNICAL DATA	REGULAR	MINI	CONTROL BOX
Length (mm)	265	150	230
Width (mm)	150	112	145
Height (mm)	101	99	27
Weight (kg)	1.8	0.9	1
Number of valves	128	54	
Theoretical lifting force (N), all gripper covered			
@200mBar	98	41	
@400mBar	197	83	
@600mBar	295	124	
@800mBar	394	166	
Air consumption (NI/min)	420	210	

ORDERING ARTICLE NUMBERS	REGULAR	MINI	CONTROL BOX
	300 000 010	300 000 020	300 000 030

SPARE PARTS ARTICLE NUMBERS	REGULAR	MINI	CONTROL BOX
Foam pad	330 000 010	330 000 020	
Gasket	330 000 011	330 000 021	
Foam Carrier	320 000 010	320 000 020	

All data is subject to change without prior notification

# ACCESSORIES

## EJECTOR VACUUM GENERATORS

EJECTORS FOR SMS 120		-E	-ES	-ER
LP30	Air consumption 105 NI/min	340 341 131	340 341 132	340 341 130
LP60	Air consumption 210 NI/min	340 341 121	340 341 122	340 341 120
LP90	Air consumption 315 NI/min	340 341 111	340 341 112	340 341 110
LP120	Air consumption 420 NI/min	340 341 101	340 341 102	340 341 100
LP150-D	Air consumption 525 NI/min	340 341 151		340 341 150
LP180-D	Air consumption 630 NI/min	340 341 161		340 341 160
LP210-D	Air consumption 735 NI/min	340 341 171		340 341 170
LP240-D	Air consumption 840 NI/min	340 341 181		340 341 180

Mounting plate for separate mounting	340 341 140
--------------------------------------	-------------

EJECTORS FOR SMS 80		-E	-ES	-ER
LP30	Air consumption 105 NI/min	340 341 021	340 341 022	340 341 020
LP60	Air consumption 210 NI/min	340 341 011	340 341 012	340 341 010
LP90	Air consumption 315 NI/min	340 341 001	340 341 002	340 341 000
LP120-D	Air consumption 420 NI/min	340 341 031		340 341 030
LP150-D	Air consumption 525 NI/min	340 341 051		340 341 050
LP180-D	Air consumption 630 NI/min	340 341 061		340 341 060

Mounting plate for separate mounting	340 341 040
--------------------------------------	-------------

EJECTORS FOR BASIC		-EB
LP30	Air consumption 105 NI/min	340 341 331
LP60	Air consumption 210 NI/min	340 341 321
LP90	Air consumption 315 NI/min	340 341 311
LP120	Air consumption 420 NI/min	340 341 301

Mounting plate for separate mounting	340 341 140
--------------------------------------	-------------



## VACUUM INDICATORS/SWITCHES

Vacuum indicators give the operator a feedback of the vacuum level in the gripper. A digital version can also be connected to a control system

VACUUM INDICATORS		ARTICLE NUMBER
Analogue	30mm diam, 1/8" threaded connection	340 346 610
Digital	1/8" threaded connection, incl. 2m cable with 3 lead wires	340 346 620

## PNEUMATIC VALVES

Pneumatic valves for controlling the compressed air flow to grippers with ejectors. A 5/3 valve allows the compressed air to either be used for vacuum generation, reverse blowing as well as being switched off.

PNEUMATIC VALVES		ARTICLE NUMBER
Small	5/3 valve, closed mid position. 24V DC, incl. DIN connector	1 valve is recommended to for grippers with up to 630 NI/min air consumption 340 346 640
Large	5/3 valve, closed mid position. 24V DC, incl. DIN connector	1 valve is recommended to for grippers with up to 1 365 NI/min air consumption 340 346 641



## SIDE CHANNEL BLOWERS

Side channel blowers are excellent for larger vacuum systems as the blowers can generate high vacuum flows at relatively low power consumption. UniGripper works together with leading suppliers of blowers and we select blower model on request per request basis, based on characteristics of each project. We also offer a wide range of accessories for side channel blowers to make the integration simple.

## ROTARY VANE PUMPS

UniGripper also offer rotary vane pumps in cases where an ejector vacuum generator may be the more natural choice for vacuum generation, but there is shortage of compressed air. Rotary vane pumps are typically able to reach deeper vacuum levels than side channel blowers but have lower vacuum flows, thus having much resemblance with ejectors.

## REVERSE BLOW UNITS

Reverse blow units are used to switch the vacuum hose between the inlet and the outlet of the side channel blower. UniGripper offers three sizes of reverse blow units, supporting different vacuum flow levels, and which can either be mounted standalone or directly on the side channel blower (when applicable).



REVERSE BLOW UNIT SIZE	VACUUM HOSE CONNECTION	BLOWER MOUNTED	STANDALONE
Small	50mm/2"	340 345 021	340 345 022
	63mm / 2.5"	340 345 023	340 345 024
Large	50mm/2"	340 345 011	340 345 012
	63mm / 2.5"	340 345 013	340 345 014
	76mm / 3"	340 345 015	340 345 016
	101mm / 4"	340 345 017	340 345 018
X-Large	127mm / 5"	340 345 002	340 345 003

## UNIGRIPPER SILENT POWER

Silent power is UniGripper's sound enclosure for side channel blowers, providing premium noise reduction for blowers of all sizes. The Silent Power sound cabinets come in a compact design which makes them easy to ship and install. The cabinet also integrates a reverse blow unit and thus only requires a hose to be routed to the gripper.



## HOSE DIVIDERS AND VACUUM DISTRIBUTION

In case more than one gripper are used with a common vacuum source, the vacuum needs to be distributed to all grippers. UniGripper keep the hose dividers presented below as standard items. In addition other hose dividers as well as distribution pipes are available on request. The distribution pipes consist of multiple inlet and outlet hose connections, which are spread out over the length of a pipe and thus facilitates the distribution of vacuum when the grippers are spread out over many meters.



HOSE DIVIDERS	ARTICLE NUMBER
Hose Divider 51-51-51mm / 2"-2"-2"	340 346 380
Hose Divider 63-51-51mm / 2.5"-2"-2"	340 346 386
Hose Divider 63-63-63mm / 2.5"-2.5"-2.5"	340 346 381
Hose Divider 76-51-51mm / 3"-2"-2"	340 346 387
Hose Divider 76-63-63mm / 3"-2.5"-2.5"	340 346 388
Hose Divider 76-76-76mm / 3"-3"-3"	340 346 382
Hose Divider 101-63-63mm / 4"-2.5"-2.5"	340 346 384
Hose Divider 101-76-76mm / 4"-3"-3"	340 346 385
Hose Divider 101-101-101mm / 4"-4"-4"	340 346 383

All data is subject to change without prior notification

## SLIDE VALVES

Slide valves can be installed on grippers or distribution pipes to disconnect grippers from the vacuum system in case they are not needed, for example when handling shorter products in a production line where both short and long products are handled. For each slide valve there are two versions available, with the difference is the chamber to which the slide valve is connected is kept closed or open when disconnecting the hose connection of the slide valve from the opening in the chamber.

SLIDE VALVES	OPEN-OPEN	OPEN CLOSED
50mm / 2"	340 344 020	340 344 021
63mm / 2.5"	340 344 030	340 344 031
76mm / 3"	340 344 040	340 344 041
101mm / 4"	340 344 050	340 344 051

## VACUUM HOSE

Distribution vacuum in hoses puts special requirements on the hose to achieve good durability. We supply selected vacuum hose qualities as per below. Hose clamps are needed to firmly attach the hose to hose connections.

VACUUM HOSE	ARTICLE NUMBER	HOSE CLAMPS
Vacuum hose 16mm	340 346 016	340 346 250
Vacuum hose 25mm / 1"	340 346 025	340 346 260
Vacuum hose 50mm / 2"	340 346 050	340 346 200
Vacuum hose 63mm / 2,5"	340 346 063	340 346 210
Vacuum hose 76mm / 3"	340 346 076	340 346 220
Vacuum hose 101mm / 4"	340 346 101	340 346 230
Vacuum hose 127mm / 5"	340 346 127	340 346 240



## HOSE CONNECTIONS

Connections for vacuum hoses are available in straight, 45 degrees and 90 degrees angels.

HOSE CONNECTIONS	STRAIGHT	45 DEGREES	90 DEGREES
25mm / 1"	340 346 310	340 346 316	340 346 318
50mm / 2"	340 346 320	340 346 326	340 346 328
63mm / 2.5"	340 346 330	340 346 336	340 346 338
76mm / 3"	340 346 340	340 346 346	340 346 348
101mm / 4"	340 346 350	340 346 356	340 346 358
127mm / 5"	340 346 360	340 346 366	340 346 368

## SWIVELING HOSE CONNECTIONS

Swiveling hose connections are ideally located at twisting points of the vacuum hose. The swivel joint is available in base-mounted and hose-mounted versions, where the base mounted can be mounted on a gripper or similar and the hose mounted has hose connections on both ends. The standard swivel joints have straight hose connection(s), but swivel joints

SWIVEL JOINTS	BASE MOUNTED	HOSE MOUNTED
50mm / 2"	340 346 321	340 346 322
63mm / 2.5"	340 346 331	340 346 332
76mm / 3"	340 346 341	340 346 342
101mm / 4"	340 346 351	340 346 352
127mm / 5"	340 346 361	340 346 362

are also available with 45- or 90-degrees hose connections



INTEGRATION EJECTOR  
OFF-THE-SHELF  
PROFILE SMS GRIPPER  
UNIGRIPPER  
EFFECTIVE VACUUM FOAM  
VALVES STANDARD MODULAR CONNECTION  
CO/LIGHT FAST 80 120  
BASIC ACCESSORIES  
COMPONENT



**UNIGRIPPER**

is a part of



Tepro Machine and Pac System AB  
Vinkelvägen 10  
68534 Torsby, Sweden  
+46 560 272 70



Find your closest distributor on [www.unigripper.com](http://www.unigripper.com)